



AVIO

Inline Axial Fan

Product Overview



- IPX4 splash proof, suitable for installation in Zones 1 and 2
- Quiet operation, provides unobtrusive ventilation
- 100mm model has less than 8 watts operating power consumption for energy saving
- Unique BLADELET impeller design for optimised performance and acoustics
- Double insulated, no earth connections required
- Environmentally friendly, manufactured using totally recyclable plastic components
- Discreet duct mounting
- Complies with all UK building regulation requirements
- Each fan is individually tested prior to leaving the factory to meet the relevant standards

Application

Designed for intermittent extract of contaminants such as humid air and odour from bathrooms, kitchens and utility rooms. The fans are only triggered when required or when the room is in use.

Avio fans can be mounted in a duct and away from the room, limiting noise and allowing low profile inlet grilles to be used.

Operation

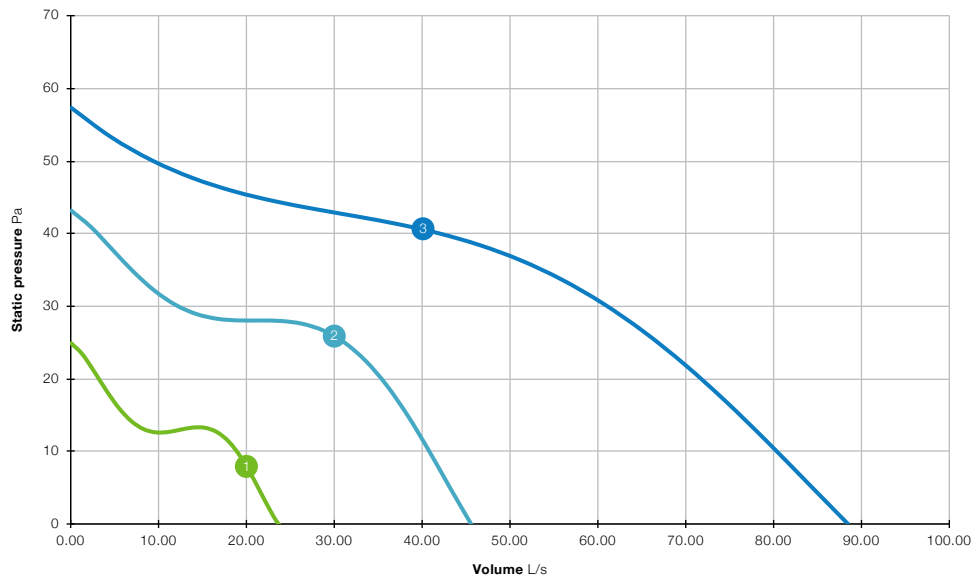
Manual: An external switch can manually start the fan.

Timer: The fan has an integral over-run timer which will keep the fan running for a set amount of time after the external switch has been turned off.

Contents

Page	Information
3	Performance Range Curves
4	Performance, SFP & Electrical Data
5	Dimensional Data
6	Accessories

Performance Range Curves



- 1 AVIO 100
- 2 AVIO 125
- 3 AVIO 150

Dry performance based on EN 308
 Wet performance based on -5°C supply 95% RH, 21°C extract 50% RH

Performance & Electrical Data

Single Phase 220V to 240V / 50Hz or 60Hz

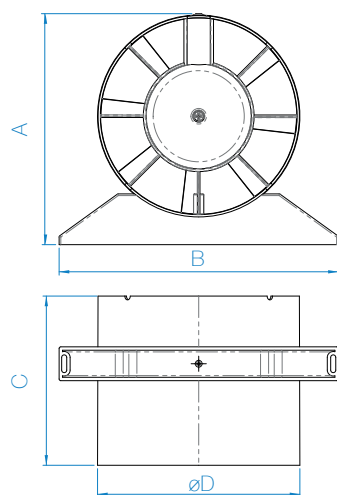
Product Code	Airflow L/s max	Power W max	Sound Pressure dBA @3 m	Ambient Temperature °C max
AVIO 100	23.5	8	34	50
AVIO 125	45.7	14	39	50
AVIO 150	88.6	24	45	50

220-240V, 50-60Hz. Air performance measured according to ISO 5801.
All data measured in our TÜV Rheinland accredited laboratory.

Dimensional Data

Single Phase

Product Code	A	B	C	D
AVIO 100	112.5	115	90	99
AVIO 125	136.5	165	100	119.6
AVIO 150	164.5	165	115	148



Mounting feet supplied separately.
Dimensions are in mm.

Single Phase

Product Code	External Gravity Shutter	Extract Valve	Jubilee Clip	Mounting Foot	PVC Flexible Duct 1m
AVIO 100	410-SE100	410-MW104	410-EKC264	410-AVIO100-MF	410-P0032/102/35
AVIO 125	410-SE125	410-MW124	410-EKC611	410-AVIO125-MF	410-P0032/133/35
AVIO 150	410-SE150	410-MW154	410-EKC674	410-AVIO150-MF	410-P0032/152/35

EXTERNAL GRAVITY SHUTTER

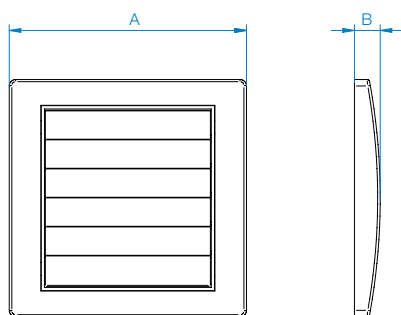
Accessories

External gravity shutter, made of high quality ABS, shock-proof and UV resistant, RAL9010.

Recommended for installation in combination with fans without shutters. The shutters open automatically when the air flows through. When the fan is off, they close to prevent air flowing back from outside.



Product Code	A	B
410-SE100	164	20
410-SE125	184	20
410-SE150	210	20



Dimensions are in mm.

EXTRACT VALVE

Accessories



- Available in white epoxy powder finish
- 4 Standard sizes 100mm, 125mm, 150mm and 200mm
- Valves supplied with a mounting ring for fixing
- Suitable for wall, ceiling or duct applications

idealair extract air valves offer an efficient way of extracting air, combining excellent performance characteristics and a stylish design for most commercial, industrial and residential ventilation applications.

Construction

The extract valve is manufactured from white epoxy powder coated steel. The valve is fully adjustable and has a locking nut to fix the position of the control disc upon commissioning.

Fixing

Supplied complete with a separate plated mounting ring (pre-punched holes) to secure the valve either in a wall, ceiling or duct mounted application.

Finish

Gloss white (Standard).

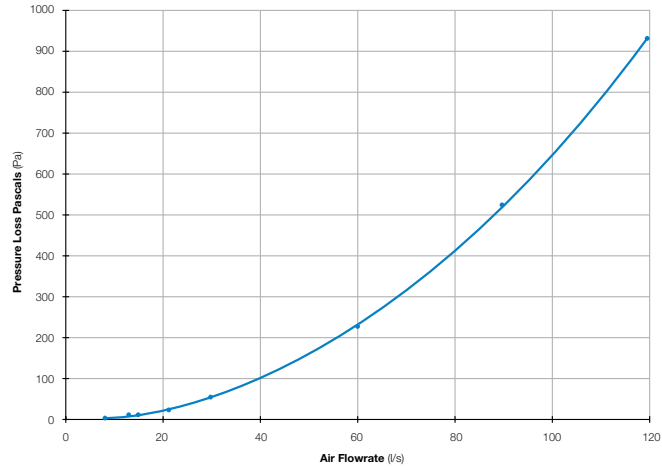
Size Range

Extract valves are available in 4 standard sizes, 100mm, 125mm, 150mm, and 200mm.

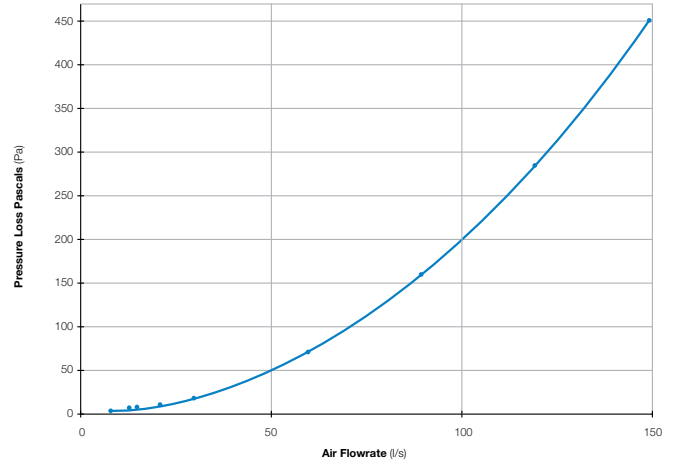
EXTRACT VALVE

Performance Range Curves

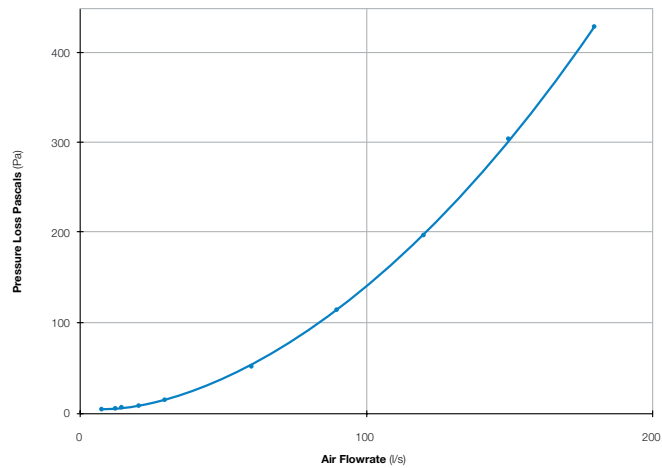
410-MW104



410-MW124



410-MW154

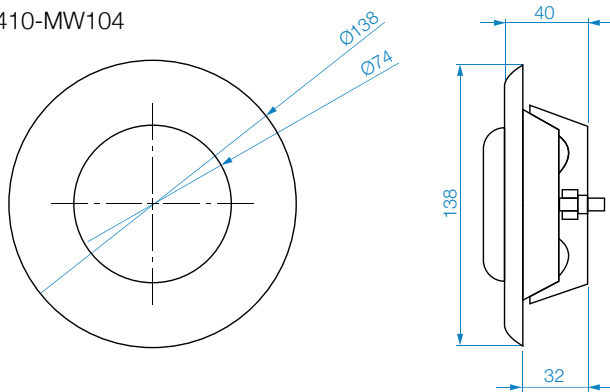


Pressure losses with control disc 10mm open.

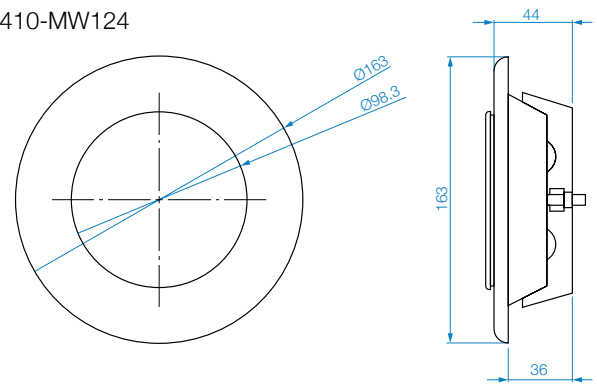
EXTRACT VALVE

Dimensional Data

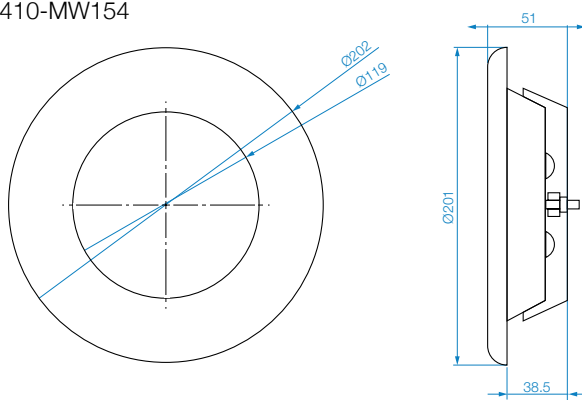
410-MW104



410-MW124



410-MW154



Dimensions are in mm.

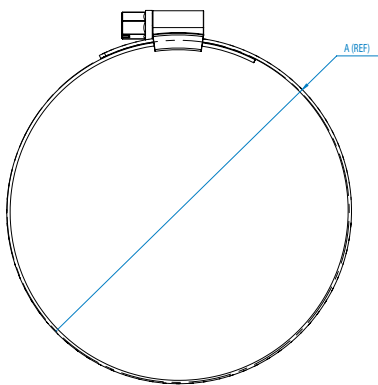
JUBILEE CLIP

Accessories



- Metal hose joining clip
- This clip can be used to connect flexible duct to fans and duct fittings
- Perfectly suited for ducting your Arco bathroom extractor fan and Avio inline fans

Product Code	A	Min	Max
410-EKC264	100	100	110
410-EKC611	125	120	140
410-EKC674	150	140	160



Dimensions are in mm.

MOUNTING FOOT

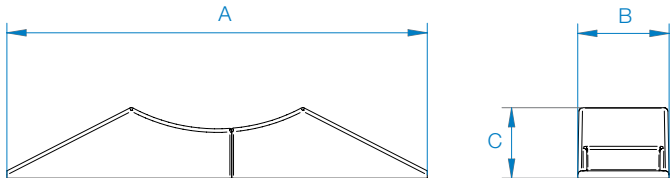
Accessories



Mounting foot for use with the Avio Inline Axial Fan.

Made of high quality ABS, shock-proof and UV resistant, RAL9010.

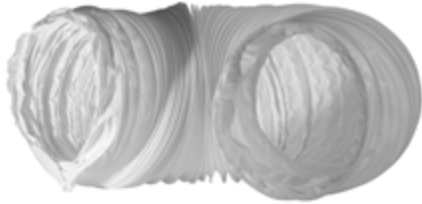
Product Code	A	B	C
410-AVIO100-MF	115	25	19
410-AVIO125-MF	165	25	28
410-AVIO150-MF	165	25	28



Dimensions are in mm.

PVC FLEXIBLE DUCT 1M

Accessories



- White flexible PVC duct manufactured with a lightweight wire spiral reinforcement
- 1 metre in length
- Suitable for use with small extractor fans requiring low ventilation rates
- Used for short runs where rigid duct is not suitable
- Made in the UK using high-quality PVC Material. Max / Min Temperature: +70°C / -5°C

Product Code	Fan Dia.
410-P0032/102/35	100
410-P0032/133/35	125
410-P0032/152/35	150

Dimensions are in mm.

Building Services

Tel **+44 (0) 1384 275800**
Fax **+44 (0) 1384 275810**
Email **info@eltafans.co.uk**

46 Third Avenue, Pensnett Trading Estate, Kingswinford,
West Midlands, DY6 7US United Kingdom

Applied Technology & Building Services Export

Tel **+44 (0) 1489 566500**
Fax **+44 (0) 1489 566555**
Email **at@eltafans.co.uk / export@eltafans.co.uk**

17 Barnes Wallis Road, Segensworth East Industrial Estate,
Fareham, Hampshire, PO15 5ST United Kingdom

eltafans.com

AVIO-03-2018 Issue A



BS EN ISO 9001:2015 FM 556465

