



GORILLA HVLS

High Volume Low Speed Fan



GORILLA

GORILLA HVLS

Product Overview



- High efficiency EC brushless motor
- 400Vac/3ph/50-60Hz, IP65 Suitable for S1 continuous service
- Embedded electronic system
- Gearless for silent operation
- Strong main security wire
- Additional stabilizing wires
- Hub safety ring
- Heavy duty construction
- Robust anodised extruded blades
- Special design airfoil
- Aerodynamically shaped blade terminal for better performance and noise reduction
- Plastic hub cover for better aesthetics and dust protection

The Gorilla X range can save energy costs and increase productivity while respecting the environment. The X range of destratification fans are designed to be installed in the ceiling space to redistribute warm air towards floor level, where it's needed most. The high volume, low speed (HVLS) fans generate a gentle, slow moving airstream which covers a large area even when they are installed in a very high ceiling.

Winter Destratification

In winter, warm heated air rises to the highest point of an enclosed area, thereby causing cooler air to reside at floor level. Traditionally temperatures have been maintained at floor level by continued and prolonged use of heaters, resulting in much higher fuel consumption and relative energy expenditure. A HVLS fan increases comfort for occupants and reduces inflated energy costs in winter by maintaining an even temperature throughout.

Summer Comfort

In summer, an efficient and continuous air circulation provided by a HVLS fan, creates a natural evaporative cooling effect for occupants. It also eliminates hot and cool spots in the building by improving the internal environment, making the air-conditioning system work less and preventing large internal atmospheric losses each time doors and windows are opened.

Contents

Page	Information	Load
3	Performance SFP & Electrical Data	EC
4	Dimensional Data	
5	Notes	

GORILLA HVLS



Performance, SFP & Electrical Data

Three Phase 400V / 50Hz or 60Hz

Product Code	Number of Blades	Diameter m	Max Rotation Speed r/min	Max Absorbed Power kW	Max Current A	Max Thrust N	Max Airflow AMCA 230-99		Max Airflow AMCA 230-15		Affected Diameter m ⁽¹⁾	Operating Temp °C
							cfm	m ³ /h	cfm	m ³ /h		
HVLSX30	5	3.05	140	0.82	2.0	68	60980	103605	43119	73260	15	-10 to +50
HVLSX40	5	4.05	80	0.58	1.5	62	77311	131352	54667	92880	18	-10 to +50
HVLSX40S	5	4.05	95	0.77	1.85	79	87267	148266	61707	104840	20	-10 to +50
HVLSX50	5	5.05	70	0.90	2.2	100	122439	208025	86577	147096	24	-10 to +50
HVLSX60	5	6.05	50	0.77	1.9	146	177216	301092	125311	212904	30	-10 to +50
HVLSX60S	5	6.05	58	0.96	2.18	175	193733	329152	137195	233094	32	-10 to +50
HVLSX70	5	7.05	40	0.63	1.53	133	197103	334878	139373	236795	35	-10 to +50

Product Code	Absorbed Power r/min													
	10	20	30	40	50	60	70	80	90	100	110	120	130	140
HVLSX30	52	55	61	73	90	113	148	190	250	318	405	520	648	820
HVLSX40	52	60	80	114	172	262	388	580	-	-	-	-	-	-
HVLSX40S	50	56	77	107	166	243	350	482	669	770 ⁽²⁾	-	-	-	-
HVLSX50	55	73	114	204	348	550	900	-	-	-	-	-	-	-
HVLSX60	58	97	191	410	770	-	-	-	-	-	-	-	-	-
HVLSX60S	58	90	170	329	595	960 ⁽³⁾	-	-	-	-	-	-	-	-
HVLSX70	61	120	280	628	-	-	-	-	-	-	-	-	-	-

(1) min. average air speed 0.8 m/s with testing layout in conformity with AMCA 230
 (2) absorbed power at 95 r/min
 (3) absorbed power at 58 r/min

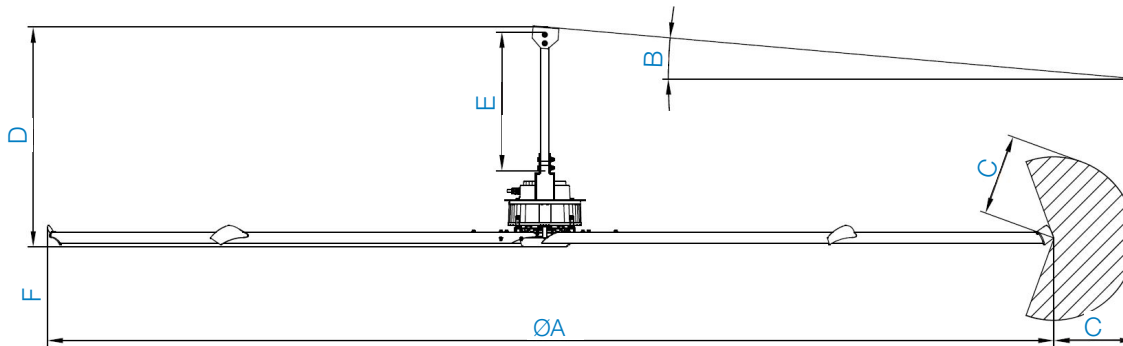
GORILLA HVLS



Dimensional Data

Three Phase

Product Code	A	B°	C	D	E	F	Weight kg
HVLSX30	3050	5	350	1250	800	2700	88
HVLSX40	4050	5	450	1250	800	2700	95
HVLSX40S	4050	5	450	1270	800	2700	102
HVLSX50	5050	5	550	1270	800	2700	108
HVLSX60	6050	5	550	1284	800	2700	120
HVLSX60S	6050	5	550	1304	800	2700	133
HVLSX70	7050	5	650	1304	800	2700	140



Dimensions are in mm.

Building Services

Tel **+44 (0) 1384 275800**
Fax **+44 (0) 1384 275810**
Email **info@eltafans.co.uk**

46 Third Avenue, Pensnett Trading Estate, Kingswinford,
West Midlands, DY6 7US United Kingdom

Applied Technology & Building Services Export

Tel **+44 (0) 1489 566500**
Fax **+44 (0) 1489 566555**
Email **at@eltafans.co.uk / export@eltafans.co.uk**

17 Barnes Wallis Road, Segensworth East Industrial Estate,
Fareham, Hampshire, PO15 5ST United Kingdom

eltafans.com

HVLS-03-2018 Issue A



BS EN ISO 9001:2015 FM 556465

