



# MULTIFLOW SEL

Mixed Flow Fan

# MULTIFLOW SEL

## Product Overview

- 8 standard sizes from 250mm to 710mm
- Air volume flow rates up to 5.67 m<sup>3</sup>/s (AC)
- Static pressures up to 1290 Pa (AC) / 1400 Pa (EC)
- Suitable for operating temperatures up to +80°C
- Extensive stock range available
- Available in **AC** and **EC**



**The Multiflow SEL is a duct mounted mixed flow fan incorporating state of the art impeller and guide vane design to provide very high performance and efficiency.**

### Intelligent Design

3D stator guide vanes are used to recover dynamic pressure loss which results in turbulent pressure being turned into useful pressure. This is coupled with optimum tip clearance between the impeller and case to maximise flow rate creating improved efficiencies.

### Easy Installation

Fans are supplied with an integral IP44 terminal box. An integral mounting bracket allows quick installation.

### Space Saving

Outstanding design allows for smaller diameter units to be utilised whilst still achieving the same required airflow. The range is perfect for projects where space is at a premium through the use of smaller ducting, reducing overall system costs.

### Efficient Performance

The high efficiency diagonal mixed flow impeller delivers maximum efficiency and operational performance offering a significant reduction in the running costs against a comparable centrifugal fan.

### Weather Resistance

Weatherproofed to IPX4.

### Warranty

Each SEL has a 12 month warranty.

### Construction

Manufactured from all weather galvanised steel, heat resistant plastic or seawater resistant aluminium (sizes over 400mm).

### Motor

AC induction motor is suitable for speed control via transformer. Each motor has integral thermal overload protection.

### Impeller

The innovative mixed flow impeller provides lower noise levels than can be achieved with comparative centrifugal fans.

### Typical Applications

- Airport Terminals
- Changing Rooms
- Commercial Kitchens
- Factories
- Gymnasiums
- Hotels
- Sports Centres
- Squash Courts
- Warehousing and Stores

### Contents

Page	Information	Load
3	Performance Range Curves	<b>AC</b>
4	Performance Range Curves	<b>EC</b>
5	Performance, SFP & Electrical Data	<b>AC</b>
8	Performance, SFP & Electrical Data	<b>EC</b>
10	Sound Data	<b>AC</b>
14	Sound Data	<b>EC</b>
16	Dimensional Data	
17	Accessories	<b>AC</b>
19	Accessories	<b>EC</b>
37	Notes	

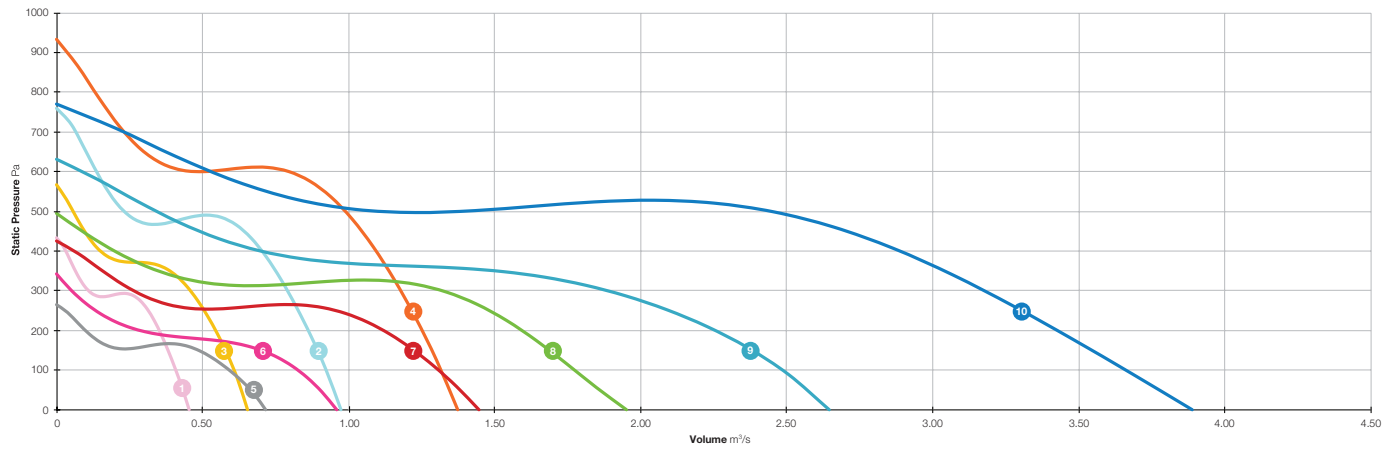
### Product Coding

Code	Reference
<b>SEL</b>	Product Range
<b>250</b>	Diameter (250/315/355...)
/	
<b>2</b>	Number of Poles (2/4/6)
-	
<b>1</b>	Voltage Supply (Single Phase / Three Phase)
<b>AC</b>	Motor Type (AC/EC)
<b>A - Z</b>	Additional Coding (A - Z) Product Variants
e.g.	<b>SEL250 / 2-1AC</b>

# MULTIFLOW SEL



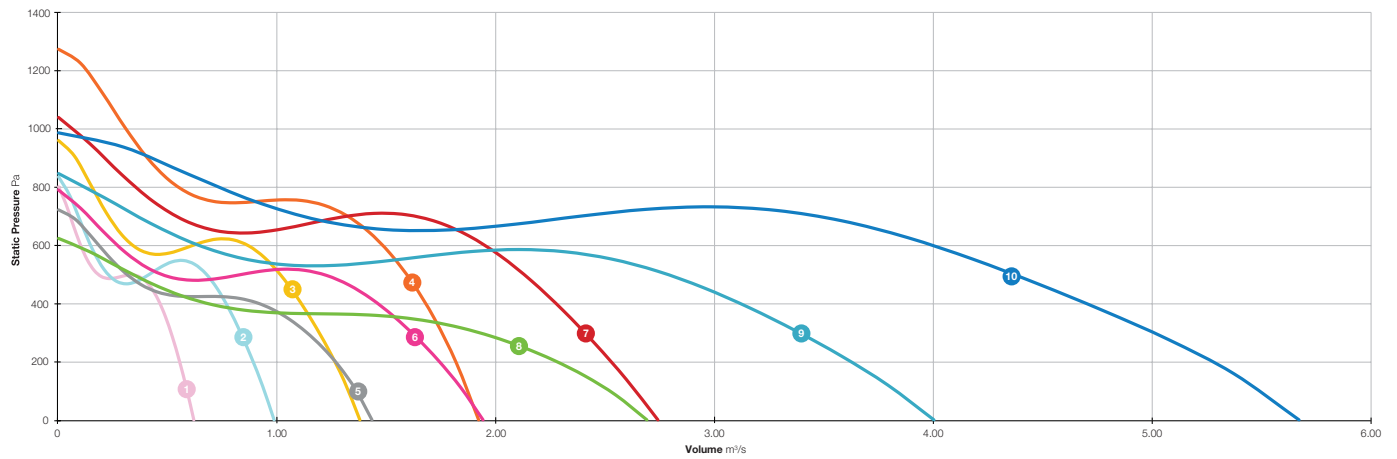
## Performance Range Curves



- 1 SEL250 / 2-1AC
- 2 SEL315 / 2B-1AC
- 3 SEL315 / 2A-1AC
- 4 SEL355 / 2-1AC

- 5 SEL355 / 4-1AC
- 6 SEL400 / 4-1AC
- 7 SEL450 / 4-1AC
- 8 SEL500 / 4-1AC

- 9 SEL560 / 4-1AC
- 10 SEL630 / 4-1AC



- 1 SEL250 / 2-13PAC
- 2 SEL315 / 2-13PAC
- 3 SEL355 / 2-13PAC
- 4 SEL400 / 2-3PAC

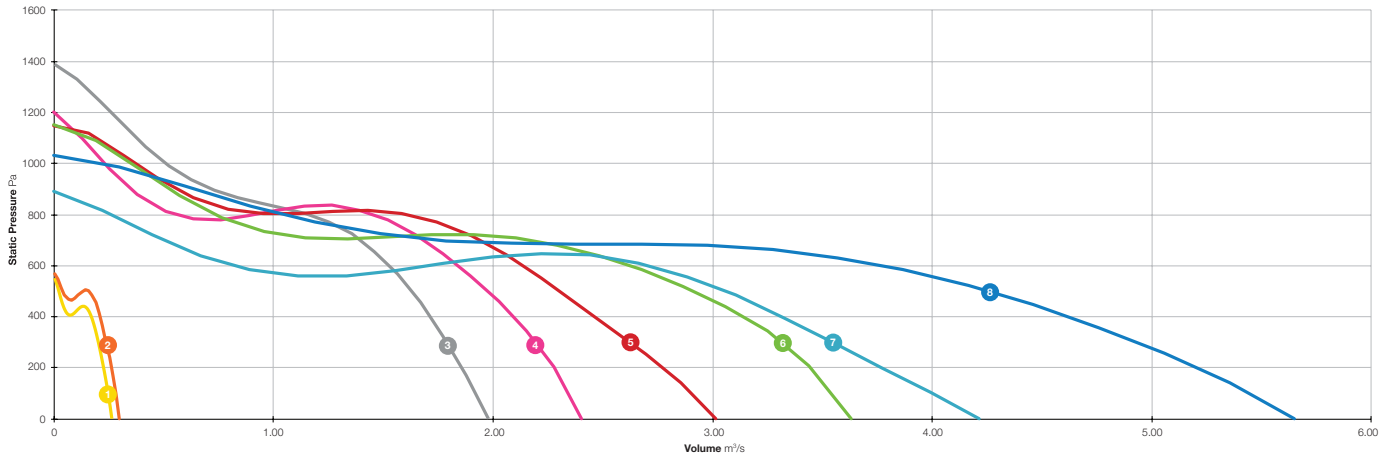
- 5 SEL400 / 4-3PAC
- 6 SEL450 / 4-3PAC
- 7 SEL500 / 4-3PAC
- 8 SEL560 / 4-3PAC

- 9 SEL630 / 4-3PAC
- 10 SEL710 / 4-3PAC

# MULTIFLOW SEL



## Performance Range Curves



- 1 SEL150 / 1PEC
- 2 SEL200 / 1PEC
- 3 SEL400 / 1PEC

- 4 SEL450 / 1PEC
- 5 SEL500 / 3PEC
- 6 SEL560 / 3PEC

- 7 SEL630 / 3PEC
- 8 SEL710 / 3PEC

# MULTIFLOW SEL



## Performance, SFP & Electrical Data

Single Phase 220V to 240V / 50Hz

Product Code	Speed r/min	Airflow SFP	Airflow m³/s @static Pressure Pa												At Best Efficiency Point			Electrical Data		dBA @ 3m	
			0	25	50	75	100	150	200	250	300	350	400	500	Overall Eff %	FMEG N	Input kW	Peak Amps			
SEL250/2-1AC	2684	m³/s	0.453	0.442	0.431	0.419	0.407	0.380	0.350	0.313	0.108	0.064	0.031	-	46.9	65.7	0.162	0.70	Inlet	51	
		W/(L/s)	0.33	0.34	0.35	0.37	0.38	0.42	0.47	0.52	1.14	2.07	4.48	-					Outlet	53	
	2435	m³/s	0.402	0.388	0.370	0.350	0.329	0.290	0.245	0.109	0.054	-	-	-	40.9		0.114	0.80	Inlet	50	
		W/(L/s)	0.31	0.31	0.33	0.36	0.40	0.46	0.52	0.88	1.98	-	-	-					Outlet	53	
	2100	m³/s	0.317	0.300	0.259	0.231	0.211	0.172	0.093	-	-	-	-	-	28.5		0.107	0.90	Inlet	40	
		W/(L/s)	0.33	0.33	0.40	0.46	0.50	0.57	0.90	-	-	-	-	-					Outlet	42	
	1490	m³/s	0.197	0.166	0.128	0.105	0.074	-	-	-	-	-	-	-	12.3		0.068	0.90	Inlet	31	
		W/(L/s)	0.35	0.41	0.53	0.63	0.88	-	-	-	-	-	-	-					Outlet	36	
SEL315/2B-1AC	2776	m³/s	0.975	0.963	0.951	0.938	0.924	0.894	0.862	0.828	0.791	0.750	0.703	0.230	52.7	66.2	0.515	2.40	Inlet	55	
		W/(L/s)	0.50	0.51	0.52	0.53	0.54	0.57	0.60	0.63	0.67	0.71	0.76	1.66					Outlet	61	
	2540	m³/s	0.892	0.875	0.857	0.838	0.819	0.778	0.735	0.691	0.642	0.582	0.485	0.160	46.3		0.422	2.80	Inlet	52	
		W/(L/s)	0.48	0.49	0.51	0.52	0.54	0.58	0.63	0.68	0.74	0.79	0.86	2.18					Outlet	56	
	2295	m³/s	0.765	0.745	0.720	0.690	0.657	0.593	0.534	0.475	0.404	0.294	0.159	-	34.2		0.338	2.90	Inlet	48	
		W/(L/s)	0.51	0.51	0.53	0.56	0.60	0.69	0.77	0.83	0.90	1.07	1.96	-					Outlet	52	
	1760	m³/s	0.534	0.501	0.453	0.403	0.363	0.298	0.233	0.011	-	-	-	-	17.7		0.264	2.90	Inlet	41	
		W/(L/s)	0.55	0.57	0.65	0.74	0.82	0.95	1.13	24.88	-	-	-	-					Outlet	46	
SEL315/2A-1AC	2819	m³/s	0.654	0.644	0.633	0.621	0.608	0.579	0.545	0.506	0.459	0.388	0.150	0.057	50.8	67.4	0.263	1.20	Inlet	54	
		W/(L/s)	0.39	0.40	0.40	0.42	0.43	0.46	0.50	0.55	0.60	0.66	1.36	4.03					Outlet	58	
	2640	m³/s	0.609	0.597	0.583	0.569	0.552	0.516	0.474	0.425	0.354	0.161	0.100	-	47.7		0.219	1.30	Inlet	52	
		W/(L/s)	0.36	0.37	0.38	0.40	0.42	0.46	0.51	0.56	0.63	1.07	1.80	-					Outlet	56	
	2425	m³/s	0.541	0.523	0.502	0.476	0.448	0.393	0.335	0.260	0.151	0.075	0.001	-	36.9		0.173	1.50	Inlet	49	
		W/(L/s)	0.38	0.39	0.41	0.44	0.47	0.54	0.61	0.68	1.03	2.30	130.61	-					Outlet	53	
	1895	m³/s	0.387	0.355	0.315	0.272	0.236	0.177	0.102	-	-	-	-	-	19.7		0.134	1.40	Inlet	42	
		W/(L/s)	0.39	0.42	0.48	0.55	0.61	0.77	1.32	-	-	-	-	-					Outlet	46	
SEL355/2-1AC	2776	m³/s	1.372	1.358	1.344	1.330	1.315	1.283	1.250	1.215	1.177	1.137	1.093	0.988	50.5	61.2	0.955	4.30	Inlet	59	
		W/(L/s)	0.64	0.65	0.66	0.67	0.68	0.70	0.73	0.77	0.81	0.85	0.89	0.99					Outlet	63	
	2530	m³/s	1.253	1.233	1.213	1.192	1.171	1.129	1.085	1.040	0.991	0.939	0.877	0.636	45.5		0.765	4.80	Inlet	56	
		W/(L/s)	0.59	0.60	0.61	0.63	0.64	0.68	0.72	0.77	0.82	0.88	0.94	1.12					Outlet	60	
	2295	m³/s	1.119	1.093	1.063	1.032	0.999	0.932	0.865	0.797	0.724	0.634	0.493	0.211	34.5		0.613	5.10	Inlet	52	
		W/(L/s)	0.58	0.59	0.61	0.63	0.66	0.73	0.81	0.88	0.96	1.04	1.17	2.51					Outlet	55	
	1825	m³/s	0.827	0.790	0.750	0.704	0.652	0.544	0.448	0.362	0.267	0.011	-	-	20.2		0.446	4.90	Inlet	45	
		W/(L/s)	0.59	0.61	0.64	0.69	0.76	0.91	1.05	1.24	1.61	41.54	-	-					Outlet	49	
SEL355/4-1AC	1438	m³/s	0.714	0.691	0.663	0.629	0.590	0.484	0.098	0.030	-	-	-	-	46.8	66	0.150	0.70	Inlet	43	
		W/(L/s)	0.20	0.21	0.22	0.24	0.26	0.31	1.28	4.60	-	-	-	-					Outlet	45	
	1365	m³/s	0.677	0.647	0.611	0.569	0.524	0.383	0.071	-	-	-	-	-	49.4		0.120	0.70	Inlet	42	
		W/(L/s)	0.17	0.18	0.20	0.22	0.24	0.31	1.43	-	-	-	-	-					Outlet	44	
	1275	m³/s	0.593	0.529	0.434	0.380	0.322	0.126	-	-	-	-	-	-	35.7		0.090	0.90	Inlet	33	
		W/(L/s)	0.18	0.20	0.27	0.30	0.32	0.66	-	-	-	-	-	-					Outlet	38	
	940	m³/s	0.343	0.227	0.176	0.132	-	-	-	-	-	-	-	-	14.0		0.071	0.90	Inlet	18	
		W/(L/s)	0.22	0.33	0.41	0.54	-	-	-	-	-	-	-	-					Outlet	20	
																		Breakout	9		

Data provided is at standard air density of 1.2 kg/m³.

Data in accordance with ErP 327/2011 of the European Parliament. Measurement category used to determine energy efficiency: A.

Peak Amps @ 230V / 1PH / 50Hz.

The overall A-weighted sound pressure level is at a distance of 3m with spherical free-field propagation. It is expressed in dB re-20µPa and is presented for comparative purposes only.

# MULTIFLOW SEL



## Performance, SFP & Electrical Data

Single Phase 220V to 240V / 50Hz

Product Code	Speed r/min	Airflow SFP	Airflow m³/s @static Pressure Pa												At Best Efficiency Point			Electrical Data		dBA @ 3m	
			0	25	50	75	100	150	200	250	300	350	400	500	Overall Eff %	FMEG N	Input kW	Peak Amps			
SEL400/4-1AC	1440	m³/s	0.957	0.930	0.900	0.866	0.825	0.700	0.287	0.135	0.053	-	-	-	45.8	63.4	0.211	0.90	Inlet	49	
		W/(L/s)	0.20	0.21	0.23	0.24	0.26	0.31	0.60	1.35	3.68	-	-	-					Outlet	53	
	1385	m³/s	0.918	0.888	0.853	0.811	0.763	0.616	0.222	0.115	-	-	-	-	52.0		0.176	1.10	Inlet	47	
		W/(L/s)	0.18	0.19	0.21	0.22	0.24	0.29	0.65	1.34	-	-	-	-					Outlet	51	
	1305	m³/s	0.863	0.822	0.773	0.718	0.655	0.439	0.166	0.054	-	-	-	-	45.3		0.153	1.20	Inlet	47	
		W/(L/s)	0.18	0.19	0.21	0.24	0.27	0.33	0.81	2.82	-	-	-	-					Outlet	51	
	1140	m³/s	0.588	0.496	0.398	0.339	0.289	-	-	-	-	-	-	-	25.4		0.115	1.40	Inlet	47	
		W/(L/s)	0.22	0.27	0.33	0.38	0.42	-	-	-	-	-	-	-					Outlet	51	
																		Breakout	47		
	SEL450/4-1AC	1435	m³/s	1.445	1.414	1.380	1.345	1.307	1.223	1.119	0.959	0.265	0.159	0.063	-	50.0	64.2	0.445	2.40	Inlet	50
W/(L/s)			0.29	0.30	0.31	0.32	0.33	0.37	0.41	0.46	1.37	2.41	6.41	-	Outlet					55	
1380		m³/s	1.394	1.357	1.319	1.279	1.238	1.147	1.031	0.394	0.214	0.107	-	-	58.6	0.360		2.30	Inlet	49	
		W/(L/s)	0.24	0.25	0.26	0.27	0.29	0.32	0.36	0.70	1.36	2.97	-	-					Outlet	54	
1300		m³/s	1.328	1.285	1.237	1.186	1.131	1.008	0.837	0.302	0.146	-	-	-	50.9	0.346		2.50	Inlet	49	
		W/(L/s)	0.23	0.24	0.26	0.28	0.30	0.34	0.40	0.84	1.92	-	-	-					Outlet	52	
1115		m³/s	1.037	0.957	0.842	0.743	0.659	0.498	0.186	-	-	-	-	-	30.9	0.276		2.90	Inlet	46	
		W/(L/s)	0.25	0.27	0.32	0.37	0.41	0.49	1.28	-	-	-	-	-					Outlet	45	
																		Breakout	44		
	SEL500/4-1AC	1352	m³/s	1.950	1.902	1.857	1.814	1.772	1.685	1.591	1.479	1.315	0.343	0.196	-	48.7	60.5	0.747	3.30	Inlet	54
W/(L/s)			0.34	0.35	0.36	0.37	0.39	0.42	0.46	0.50	0.56	1.68	3.15	-	Outlet					55	
1235		m³/s	1.783	1.735	1.682	1.626	1.567	1.441	1.298	1.103	0.341	0.178	0.025	-	46.3	0.580		3.70	Inlet	51	
		W/(L/s)	0.30	0.31	0.32	0.34	0.36	0.42	0.48	0.54	1.34	2.83	22.05	-					Outlet	52	
1120		m³/s	1.620	1.540	1.453	1.365	1.274	1.082	0.833	0.373	0.072	-	-	-	34.3	0.470		4.00	Inlet	49	
		W/(L/s)	0.30	0.31	0.34	0.37	0.41	0.50	0.59	1.08	6.55	-	-	-					Outlet	51	
900		m³/s	1.149	1.046	0.826	0.693	0.592	0.380	-	-	-	-	-	-	17.9	0.344		3.70	Inlet	44	
		W/(L/s)	0.32	0.35	0.47	0.55	0.62	0.88	-	-	-	-	-	-					Outlet	46	
																		Breakout	46		
	SEL560/4-1AC	1401	m³/s	2.645	2.610	2.571	2.530	2.485	2.380	2.253	2.094	1.883	1.491	0.693	0.339	49.0	59.3	1.035	5.50	Inlet	61
W/(L/s)			0.38	0.39	0.40	0.41	0.42	0.45	0.49	0.53	0.57	0.66	1.23	2.72	Outlet					64	
1310		m³/s	2.516	2.474	2.428	2.379	2.325	2.202	2.051	1.854	1.538	0.825	0.526	0.179	51.6	0.891		5.60	Inlet	59	
		W/(L/s)	0.35	0.36	0.37	0.38	0.40	0.43	0.47	0.52	0.58	0.89	1.42	4.75					Outlet	61	
1205		m³/s	2.357	2.278	2.200	2.124	2.046	1.878	1.674	1.366	0.827	0.494	0.266	-	42.9	0.782		6.10	Inlet	56	
		W/(L/s)	0.33	0.35	0.37	0.40	0.42	0.46	0.52	0.58	0.82	1.39	2.80	-					Outlet	58	
1030		m³/s	1.891	1.811	1.713	1.602	1.482	1.225	0.906	0.407	-	-	-	-	28.9	0.637		6.70	Inlet	50	
		W/(L/s)	0.37	0.39	0.42	0.46	0.50	0.57	0.69	1.48	-	-	-	-					Outlet	52	
																		Breakout	44		
	SEL630/4-1AC	1371	m³/s	3.887	3.831	3.775	3.717	3.660	3.544	3.425	3.304	3.176	3.039	2.887	2.447	55.3	62.3	2.140	9.60	Inlet	62
W/(L/s)			0.49	0.50	0.51	0.52	0.53	0.55	0.58	0.62	0.66	0.70	0.74	0.86	Outlet					64	
1245		m³/s	3.532	3.472	3.411	3.350	3.288	3.159	3.024	2.877	2.709	2.503	2.186	0.617	52.6	1.660		10.40	Inlet	57	
		W/(L/s)	0.45	0.46	0.46	0.47	0.48	0.51	0.54	0.58	0.63	0.69	0.76	2.11					Outlet	60	
1125		m³/s	3.196	3.111	3.025	2.938	2.849	2.666	2.467	2.238	1.940	1.407	0.716	-	41.8	1.340		10.60	Inlet	57	
		W/(L/s)	0.42	0.43	0.44	0.46	0.48	0.53	0.59	0.65	0.73	0.87	1.55	-					Outlet	58	
950		m³/s	2.665	2.582	2.472	2.313	2.097	1.700	1.392	1.080	0.216	-	-	-	26.4	1.049		10.80	Inlet	52	
		W/(L/s)	0.43	0.44	0.46	0.50	0.55	0.68	0.79	0.95	4.69	-	-	-					Outlet	54	
																		Breakout	44		

Data provided is at standard air density of 1.2 kg/m³.

Data in accordance with ErP 327/2011 of the European Parliament. Measurement category used to determine energy efficiency: A.

Peak Amps @ 230V / 1PH / 50Hz.

The overall A-weighted sound pressure level is at a distance of 3m with spherical free-field propagation. It is expressed in dB re-20µPa and is presented for comparative purposes only.

# MULTIFLOW SEL



## Performance, SFP & Electrical Data

Three Phase 380V to 415V / 50Hz

Product Code	Speed r/min	Airflow SFP	Airflow m <sup>3</sup> / s @static Pressure Pa												At Best Efficiency Point			Electrical Data		dBA @ 3m	
			0	25	50	75	100	150	200	250	300	350	400	500	Overall Eff %	FMEG	Input kW	Peak Amps	Frequency Hz		
SEL250/2-13PAC*	3630	m <sup>3</sup> / s	0.621	0.613	0.606	0.598	0.590	0.573	0.556	0.537	0.516	0.493	0.466	0.184	57.5	72	0.419	1.50	65	Inlet	59
		W / (L/s)	0.55	0.56	0.57	0.58	0.60	0.63	0.66	0.69	0.73	0.77	0.82	1.49						Outlet	62
SEL315/2-13PAC*	2920	m <sup>3</sup> / s	0.989	0.979	0.968	0.956	0.945	0.920	0.893	0.865	0.836	0.804	0.770	0.681	63.8	74.8	0.908	3.00	50	Inlet	58
		W / (L/s)	0.49	0.50	0.51	0.52	0.53	0.56	0.59	0.62	0.66	0.70	0.74	0.83						Outlet	67
SEL355/2-13PAC*	2860	m <sup>3</sup> / s	1.379	1.367	1.354	1.341	1.327	1.297	1.265	1.230	1.193	1.153	1.111	1.015	60.2	71.2	0.907	3.20	50	Inlet	60
		W / (L/s)	0.59	0.60	0.61	0.62	0.63	0.65	0.68	0.71	0.75	0.79	0.83	0.92						Outlet	65
SEL400/2-3PAC	2890	m <sup>3</sup> / s	1.922	1.911	1.899	1.886	1.873	1.847	1.818	1.787	1.754	1.719	1.680	1.593	60.7	69.3	1.500	3.20	50	Inlet	67
		W / (L/s)	0.73	0.73	0.74	0.75	0.76	0.78	0.80	0.83	0.86	0.88	0.91	0.98						Outlet	72
SEL400/4-3PAC*	2180	m <sup>3</sup> / s	1.432	1.416	1.399	1.381	1.361	1.317	1.266	1.206	1.135	1.048	0.919	0.314	59.3	71.9	0.628	2.70	75	Inlet	57
		W / (L/s)	0.41	0.42	0.43	0.44	0.45	0.48	0.51	0.54	0.58	0.63	0.68	1.61						Outlet	63
SEL450/4-3PAC*	2000	m <sup>3</sup> / s	1.942	1.921	1.899	1.876	1.851	1.799	1.743	1.682	1.616	1.544	1.462	1.218	61.1	70.7	1.195	4.40	70	Inlet	60
		W / (L/s)	0.46	0.46	0.47	0.48	0.49	0.52	0.55	0.58	0.62	0.66	0.70	0.80						Outlet	64
SEL500/4-3PAC*	2040	m <sup>3</sup> / s	2.740	2.715	2.690	2.664	2.638	2.583	2.526	2.467	2.406	2.342	2.275	2.129	64.0	71.6	1.891	7.10	70	Inlet	61
		W / (L/s)	0.59	0.60	0.61	0.61	0.62	0.64	0.67	0.70	0.74	0.77	0.82	0.90						Outlet	72
SEL560/4-3PAC	1410	m <sup>3</sup> / s	2.691	2.653	2.612	2.568	2.519	2.409	2.279	2.122	1.922	1.589	0.680	0.339	58.6	68	1.270	2.80	50	Inlet	63
		W / (L/s)	0.35	0.36	0.37	0.38	0.40	0.43	0.46	0.50	0.54	0.61	1.13	2.49						Outlet	65
SEL630/4-3PAC	1430	m <sup>3</sup> / s	4.004	3.964	3.922	3.878	3.832	3.733	3.626	3.511	3.390	3.260	3.121	2.791	64.3	70.2	2.750	5.40	50	Inlet	67
		W / (L/s)	0.47	0.48	0.49	0.49	0.50	0.52	0.55	0.58	0.61	0.65	0.69	0.78						Outlet	70
SEL710/4-3PAC	1410	m <sup>3</sup> / s	5.672	5.633	5.590	5.546	5.498	5.394	5.278	5.149	5.008	4.859	4.702	4.372	66.2	70.9	3.574	7.30	50	Inlet	69
		W / (L/s)	0.60	0.61	0.61	0.61	0.62	0.63	0.65	0.68	0.71	0.74	0.78	0.86						Outlet	71

Data provided is at standard air density of 1.2 kg/m<sup>3</sup>.

Overall static efficiency, r/min and FMEG values are per ISO 12759. Installation Category A.

\* THREE Phase - 230V / 50Hz

Peak Amps @ 400V / 3PH / 50Hz.

The overall A-weighted sound pressure level is at a distance of 3m with spherical free-field propagation. It is expressed in dB re-20µPa and is presented for comparative purposes only.

# MULTIFLOW SEL



## Performance, SFP & Electrical Data

### Single Phase 230V / 50Hz

Product Code	Control Voltage	Speed r/min	Airflow SFP	Airflow m³/s @static Pressure Pa												At Best Efficiency Point			Electrical Data		dBA @ 3m	
				0	25	50	75	100	150	200	250	300	350	400	500	Overall Eff %	FMEG N	Input kW	Peak Amps			
SEL150-1PEC	Mains	3275	m³/s	0.261	0.257	0.253	0.249	0.244	0.234	0.223	0.212	0.199	0.185	0.167	0.019	44.4	63.2	0.163	0.90	Inlet	55	
			W/(L/s)	0.69	0.70	0.71	0.72	0.73	0.77	0.80	0.84	0.89	0.94	1.00	5.82					Outlet	56	
SEL200-1PEC	Mains	3203	m³/s	0.297	0.293	0.289	0.285	0.280	0.270	0.260	0.248	0.236	0.223	0.209	0.159	56.3	74.8	0.170	0.80	Inlet	58	
			W/(L/s)	0.52	0.53	0.54	0.56	0.57	0.60	0.64	0.68	0.72	0.76	0.82	1.02					Outlet	58	
SEL400-1PEC	Mains	2972	m³/s	1.980	1.965	1.950	1.934	1.919	1.887	1.855	1.822	1.787	1.751	1.713	1.629	64.4	73.0	1.512	8.80	Inlet	66	
			W/(L/s)	0.71	0.72	0.73	0.74	0.75	0.77	0.79	0.81	0.84	0.86	0.89	0.94					Outlet	70	
SEL450-1PEC	Mains	2490	m³/s	2.404	2.391	2.377	2.362	2.347	2.315	2.279	2.239	2.195	2.147	2.094	1.975	71.0	79.2	1.670	9.90	Inlet	76	
			W/(L/s)	0.64	0.65	0.65	0.66	0.67	0.68	0.70	0.72	0.74	0.76	0.79	0.85					Outlet	69	
																			Breakout	57		

Data provided is at standard air density of 1.2 kg/m³.

Data in accordance with ErP 327/2011 of the European Parliament. Measurement category used to determine energy efficiency: A.

A variable speed drive is integrated within the fan.

Peak Amps @ 230V / 1PH / 50Hz.

The overall A-weighted sound pressure level is at a distance of 3m with spherical free-field propagation. It is expressed in dB re-20µPa and is presented for comparative purposes only.

# MULTIFLOW SEL



## Performance, SFP & Electrical Data

### Three Phase 400V / 50Hz

Product Code	Control Voltage	Speed r/min	Airflow SFP	Airflow m <sup>3</sup> /s @static Pressure Pa												At Best Efficiency Point			Electrical Data	dBA @ 3m	
				0	25	50	75	100	150	200	250	300	350	400	500	Overall Eff %	FMEG N	Input kW	Peak Amps		
SEL500-3PEC	Mains	2080	m <sup>3</sup> /s	3.012	2.988	2.962	2.934	2.905	2.842	2.772	2.698	2.620	2.542	2.463	2.304	74.2	81.9	1.844	3.30	Inlet	63
			W/(L/s)	0.60	0.61	0.61	0.62	0.62	0.64	0.65	0.67	0.69	0.72	0.75	0.80					Outlet	71
SEL560-3PEC	Mains	1930	m <sup>3</sup> /s	3.630	3.611	3.592	3.571	3.549	3.501	3.448	3.386	3.316	3.235	3.142	2.913	67.4	74.1	2.303	4.40	Inlet	69
			W/(L/s)	0.60	0.61	0.61	0.62	0.63	0.65	0.66	0.69	0.71	0.74	0.77	0.84					Outlet	72
SEL630-3PEC	Mains	1500	m <sup>3</sup> /s	4.213	4.161	4.107	4.052	3.997	3.885	3.772	3.659	3.547	3.433	3.316	3.060	75.4	82.5	2.117	3.80	Inlet	66
			W/(L/s)	0.48	0.48	0.48	0.48	0.49	0.51	0.53	0.56	0.59	0.62	0.66	0.73					Outlet	68
SEL710-3PEC	Mains	1410	m <sup>3</sup> /s	5.652	5.603	5.552	5.499	5.445	5.329	5.205	5.073	4.933	4.783	4.623	4.260	73.8	79.1	3.117	5.70	Inlet	65
			W/(L/s)	0.48	0.49	0.50	0.51	0.51	0.53	0.55	0.58	0.60	0.63	0.66	0.73					Outlet	69
																			Breakout	57	

Data provided is at standard air density of 1.2 kg/m<sup>3</sup>.

Data in accordance with ErP 327/2011 of the European Parliament. Measurement category used to determine energy efficiency: A.

A variable speed drive is integrated within the fan.

Peak Amps @ 400V / 3PH / 50Hz.

The overall A-weighted sound pressure level is at a distance of 3m with spherical free-field propagation. It is expressed in dB re-20µPa and is presented for comparative purposes only.

# MULTIFLOW SEL



## Sound Data

Single Phase 220V to 240V / 50Hz

Product Code	Sound r/min		Sound Power Level dBW @ Octave Band Hz								Total dB
			63 Hz	125 Hz	250 Hz	500 Hz	1k Hz	2k Hz	4k Hz	8k Hz	
SEL250/2-1AC	2684	Inlet	-	36	47	57	63	66	67	56	70
		Outlet	-	41	57	63	69	69	65	54	74
		Breakout	-	36	35	34	45	44	41	35	49
	2435	Inlet	-	40	45	55	62	65	66	54	70
		Outlet	-	41	57	62	68	69	64	52	73
		Breakout	-	37	34	33	45	44	41	34	49
	2100	Inlet	-	54	40	50	56	56	49	39	61
		Outlet	-	56	47	52	59	58	50	36	63
		Breakout	-	48	36	38	39	38	31	21	49
	1490	Inlet	-	51	36	45	49	44	31	26	54
		Outlet	-	54	49	47	54	50	33	23	59
		Breakout	-	43	34	35	33	28	15	8	45
SEL315/2B-1AC	2776	Inlet	-	48	64	69	70	70	69	66	76
		Outlet	-	50	70	75	78	75	71	65	81
		Breakout	-	46	50	52	57	54	53	46	61
	2540	Inlet	-	44	58	64	66	66	67	64	73
		Outlet	-	42	67	71	73	71	67	62	78
		Breakout	-	44	47	50	53	52	50	43	58
	2295	Inlet	-	45	51	60	62	62	64	58	69
		Outlet	-	42	64	66	69	66	63	56	73
		Breakout	-	42	45	48	50	48	47	39	55
	1760	Inlet	-	44	50	53	56	56	56	43	62
		Outlet	-	52	56	61	64	60	56	45	68
		Breakout	-	37	39	42	42	39	37	25	48
SEL315/2A-1AC	2819	Inlet	-	49	63	68	70	69	66	57	75
		Outlet	-	50	69	73	75	73	66	58	79
		Breakout	-	44	46	49	53	51	49	45	57
	2640	Inlet	-	52	63	68	68	67	63	55	73
		Outlet	-	48	67	71	73	70	64	55	77
		Breakout	-	39	41	45	49	48	45	40	54
	2425	Inlet	-	44	56	63	65	64	59	50	70
		Outlet	-	46	62	67	71	67	60	51	74
		Breakout	-	40	41	44	49	45	41	36	52
	1895	Inlet	-	41	49	60	58	55	47	37	63
		Outlet	-	44	55	63	64	59	50	39	68
		Breakout	-	37	36	39	43	38	32	24	47
SEL355/2-1AC	2776	Inlet	-	47	64	70	75	74	71	64	79
		Outlet	-	54	70	76	80	77	72	64	83
		Breakout	-	45	55	55	58	56	55	45	63
	2530	Inlet	-	46	62	67	72	71	68	60	76
		Outlet	-	50	65	74	77	74	69	60	81
		Breakout	-	44	48	51	55	53	52	40	60
	2295	Inlet	-	48	58	65	68	67	64	55	73
		Outlet	-	49	64	71	72	69	65	55	76
		Breakout	-	41	46	51	52	49	48	35	57
	1825	Inlet	-	42	52	60	61	61	54	44	66
		Outlet	-	52	57	67	66	62	57	44	71
		Breakout	-	40	43	51	45	42	38	23	53

Data provided at standard air density of 1.2 kg/m<sup>3</sup>.  
 Tests and preparation of the sound data have been carried out at operating point with the highest static efficiency.  
 The Sound Power Level Spectra are in dB re-1pW.

# MULTIFLOW SEL



## Sound Data

Single Phase 220V to 240V / 50Hz

Product Code	Sound r/min		Sound Power Level dBW @ Octave Band Hz								Total dB
			63 Hz	125 Hz	250 Hz	500 Hz	1k Hz	2k Hz	4k Hz	8k Hz	
SEL355/4-1AC	1438	Inlet	-	44	55	58	60	57	55	44	64
		Outlet	-	54	56	62	63	57	53	41	67
		Breakout	-	42	39	40	43	39	39	25	48
	1365	Inlet	-	45	53	57	58	56	55	42	63
		Outlet	-	54	54	61	62	57	52	39	66
		Breakout	-	40	34	39	41	38	38	22	47
	1275	Inlet	-	34	48	50	49	47	40	27	55
		Outlet	-	42	48	56	56	50	43	29	60
		Breakout	-	34	30	35	34	33	24	13	41
	940	Inlet	-	24	42	38	31	24	19	10	44
		Outlet	-	26	38	41	37	24	21	12	44
		Breakout	-	26	24	27	21	18	24	22	32
SEL400/4-1AC	1440	Inlet	-	49	56	67	64	63	57	47	70
		Outlet	-	61	60	71	70	65	60	50	75
		Breakout	-	48	44	58	57	49	48	37	61
	1385	Inlet	-	44	55	63	62	62	56	46	68
		Outlet	-	56	60	70	68	64	58	48	73
		Breakout	-	44	42	58	54	48	46	36	60
	1305	Inlet	-	47	55	65	62	62	55	44	68
		Outlet	-	56	58	70	67	63	57	46	73
		Breakout	-	45	40	56	53	47	45	35	59
	1140	Inlet	-	46	48	70	58	54	44	31	70
		Outlet	-	50	52	74	58	52	44	33	74
		Breakout	-	44	41	70	46	40	35	26	70
SEL450/4-1AC	1435	Inlet	-	55	62	65	67	65	59	50	72
		Outlet	-	64	65	72	72	67	62	52	77
		Breakout	-	52	60	61	62	56	50	39	66
	1380	Inlet	-	52	58	63	66	64	58	49	70
		Outlet	-	61	63	70	72	66	60	50	75
		Breakout	-	42	54	60	60	52	48	36	64
	1300	Inlet	-	52	57	63	65	65	57	48	70
		Outlet	-	59	59	69	69	65	59	48	73
		Breakout	-	45	55	61	58	52	48	35	64
	1115	Inlet	-	49	58	65	61	59	50	39	68
		Outlet	-	50	57	65	62	56	48	37	68
		Breakout	-	46	64	66	53	43	39	24	68
SEL500/4-1AC	1352	Inlet	29	60	66	70	71	67	63	52	75
		Outlet	29	65	66	73	71	67	63	52	77
		Breakout	-	47	61	65	63	59	53	39	68
	1235	Inlet	33	54	62	70	68	64	59	48	73
		Outlet	30	57	62	71	69	64	59	48	74
		Breakout	-	53	58	69	68	59	51	40	72
	1120	Inlet	33	50	61	68	65	63	56	44	71
		Outlet	28	55	59	71	66	62	55	43	73
		Breakout	0	54	49	72	60	53	41	30	72
	900	Inlet	34	48	57	65	59	55	45	33	67
		Outlet	37	50	56	68	60	54	45	34	69
		Breakout	0	48	49	69	57	40	31	24	69

Data provided at standard air density of 1.2 kg/m<sup>3</sup>.  
 Tests and preparation of the sound data have been carried out at operating point with the highest static efficiency.  
 The Sound Power Level Spectra are in dB re-1pW.

# MULTIFLOW SEL



## Sound Data

Single Phase 220V to 240V / 50Hz

Product Code	Speed r/min		Sound Power Level dBW @ Octave Band Hz								Total dB
			63 Hz	125 Hz	250 Hz	500 Hz	1k Hz	2k Hz	4k Hz	8k Hz	
SEL560/4-1AC	1401	Inlet	-	68	78	78	76	75	69	59	83
		Outlet	-	72	81	84	78	75	70	61	87
		Breakout	-	69	76	75	67	65	58	50	79
	1310	Inlet	-	65	72	75	75	73	67	57	80
		Outlet	-	70	76	79	77	73	68	58	83
		Breakout	-	59	68	68	66	62	55	46	73
	1205	Inlet	-	59	68	73	72	70	63	54	77
		Outlet	-	68	73	78	74	71	65	55	81
		Breakout	-	60	66	70	65	61	54	47	73
	1030	Inlet	-	54	64	68	66	65	57	47	72
		Outlet	-	61	66	72	68	64	58	48	75
		Breakout	-	60	64	65	57	54	47	37	69
SEL630/4-1AC	1371	Inlet	-	69	75	80	78	75	68	61	84
		Outlet	-	72	78	83	80	77	73	62	86
		Breakout	-	67	73	72	68	66	60	49	77
	1245	Inlet	-	68	70	77	71	69	63	57	80
		Outlet	-	72	74	79	75	74	69	59	83
		Breakout	-	67	71	70	63	67	59	46	75
	1125	Inlet	-	66	71	76	72	70	62	55	79
		Outlet	-	68	73	79	72	69	62	54	81
		Breakout	-	68	71	71	62	62	50	42	75
	950	Inlet	-	59	68	72	66	65	54	47	75
		Outlet	-	62	69	75	67	65	57	48	77
		Breakout	-	63	66	65	54	54	41	34	70

Data provided at standard air density of 1.2 kg/m<sup>3</sup>.  
 Tests and preparation of the sound data have been carried out at operating point with the highest static efficiency.  
 The Sound Power Level Spectra are in dB re-1pW.

# MULTIFLOW SEL



## Sound Data

Three Phase 380V to 415V / 50Hz

Product Code	Speed r/min		Sound Power Level dBW @ Octave Band Hz								Total dB
			63Hz	125Hz	250Hz	500Hz	1 kHz	2 kHz	4 kHz	8 kHz	
SEL250/2-13PAC*	3630	Inlet	44	48	58	70	73	74	73	66	79
		Outlet	43	51	61	73	78	77	73	65	82
		Breakout	52	37	45	48	56	58	63	47	65
SEL315/2-13PAC*	2920	Inlet	-	44	59	70	74	73	71	70	79
		Outlet	-	52	67	78	85	81	74	68	87
		Breakout	-	49	49	64	67	60	59	51	70
SEL355/2-13PAC*	2860	Inlet	-	49	70	72	76	75	73	67	81
		Outlet	-	55	73	80	82	79	74	66	85
		Breakout	-	53	57	60	63	59	58	48	67
SEL400/2-3PAC	2890	Inlet	-	61	78	79	81	83	78	69	87
		Outlet	-	65	79	89	88	85	82	73	93
		Breakout	-	56	80	76	75	70	68	59	82
SEL400/4-3PAC*	2180	Inlet	-	54	69	72	73	73	68	60	79
		Outlet	-	57	73	80	80	76	72	63	84
		Breakout	-	47	50	62	64	60	58	48	68
SEL450/4-3PAC*	2000	Inlet	-	52	69	72	75	76	74	65	81
		Outlet	-	58	74	81	81	78	75	66	86
		Breakout	-	49	60	67	68	63	61	50	72
SEL500/4-3PAC*	2040	Inlet	-	57	73	77	77	76	73	65	83
		Outlet	-	73	81	89	89	85	80	72	93
		Breakout	-	71	76	73	69	64	63	58	79
SEL560/4-3PAC	1410	Inlet	-	66	82	79	79	77	71	61	86
		Outlet	-	70	82	83	82	78	72	63	88
		Breakout	-	57	86	73	71	67	60	50	86
SEL630/4-3PAC	1430	Inlet	-	66	84	82	85	78	72	64	89
		Outlet	-	72	82	87	87	82	78	68	91
		Breakout	-	66	71	81	76	72	63	55	83
SEL710/4-3PAC	1410	Inlet	-	74	86	86	86	82	75	66	92
		Outlet	-	73	88	88	87	84	77	67	93
		Breakout	-	69	79	80	79	73	62	55	85

Data provided at standard air density of 1.2 kg/m<sup>3</sup>.  
 Tests and preparation of the sound data have been carried out at operating point with the highest static efficiency.  
 The Sound Power Level Spectra are in dB re-1pW.

# MULTIFLOW SEL



## Sound Data

Single Phase 230V / 50Hz

Product Code	Control Voltage		Sound Power Level dBW @ Octave Band Hz							Total dB	
			63Hz	125Hz	250Hz	500Hz	1 kHz	2 kHz	4 kHz		8 kHz
SEL150-1PEC	Mains	Inlet	39	48	57	68	70	71	67	59	75
		Outlet	38	49	61	70	73	71	66	59	77
		Breakout	44	41	51	58	67	65	56	50	70
SEL200-1PEC	Mains	Inlet	37	42	54	66	73	74	70	62	78
		Outlet	41	42	55	69	75	74	69	61	79
		Breakout	44	33	53	56	64	64	56	48	68
SEL400-1PEC	Mains	Inlet	11	56	74	78	81	82	78	69	9
		Outlet	-	58	76	86	86	84	80	71	9
		Breakout	-	49	59	72	72	69	69	59	9
SEL450-1PEC	Mains	Inlet	30	69	83	89	92	91	89	80	81
		Outlet	10	61	75	86	86	83	80	70	91
		Breakout	10	48	66	75	73	70	67	58	78

Data provided at standard air density of 1.2 kg/m<sup>3</sup>.  
 Tests and preparation of the sound data have been carried out at operating point with the highest static efficiency.  
 The Sound Power Level Spectra are in dB re-1pW.

# MULTIFLOW SEL



## Sound Data

Three Phase 400V / 50Hz

Product Code	Control Voltage		Sound Power Level dBW @ Octave Band Hz							Total dB	
			63Hz	125Hz	250Hz	500Hz	1 kHz	2 kHz	4 kHz		8 kHz
SEL500-3PEC	Mains	Inlet	-	63	73	78	80	77	74	66	84
		Outlet	-	74	78	89	88	83	79	70	92
		Breakout	-	55	67	73	74	65	62	57	78
SEL560-3PEC	Mains	Inlet	-	71	81	86	86	83	77	67	91
		Outlet	-	74	82	90	88	85	79	70	94
		Breakout	-	60	72	79	77	73	66	57	82
SEL630-3PEC	Mains	Inlet	-	73	79	83	83	81	74	66	88
		Outlet	-	73	82	86	85	82	76	66	90
		Breakout	-	62	73	78	75	71	61	54	81
SEL710-3PEC	Mains	Inlet	-	72	78	82	81	79	74	67	87
		Outlet	-	77	85	87	85	82	76	68	92
		Breakout	-	64	72	76	73	70	62	55	80

Data provided at standard air density of 1.2 kg/m<sup>3</sup>.  
 Tests and preparation of the sound data have been carried out at operating point with the highest static efficiency.  
 The Sound Power Level Spectra are in dB re-1pW.

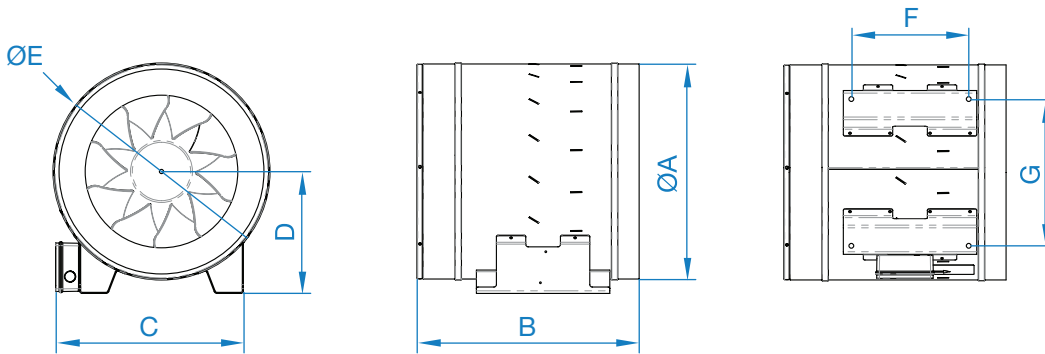
# MULTIFLOW SEL



## Dimensional Data

### Single Phase

Product Code	Ø A	B	C	D	Ø E	F	G	Weight kg
<a href="#">SEL250/2-1AC</a>	250	215	245	132	254	90	220	5
<a href="#">SEL315/2B-1AC</a>	315	351	332	164	319	160	260	15
<a href="#">SEL315/2A-1AC</a>	315	308	311	161	315	120	239	8
<a href="#">SEL355/2-1AC</a>	355	396	371	184	358	175	300	17
<a href="#">SEL355/4-1AC</a>	355	396	371	184	358	175	300	14
<a href="#">SEL400/4-1AC</a>	400	417	352	229	407	220	275	13
<a href="#">SEL450/4-1AC</a>	450	467	402	239	457	250	310	18
<a href="#">SEL500/4-1AC</a>	500	516	443	259	507	250	360	23
<a href="#">SEL560/4-1AC</a>	560	582	468	289	568	250	440	38
<a href="#">SEL630/4-1AC</a>	630	654	583	324	638	290	490	43



Dimensions are in mm.

# MULTIFLOW SEL



## Accessories

### Single Phase

Product Code	Damper	Electric Heater Battery	Fast Clamps (each)	Matching Flanges (each)	Panel Filter	Spigot Silencer 300mm Long
<a href="#">SEL250/2-1AC</a>	018-250-DAMPER	018-CV25-30-1M	018-250-CLAMP	-	018-0250-FILT-P	068-0250-JF1
<a href="#">SEL315/2B-1AC</a>	018-315-DAMPER	018-CV31-30-1M	018-315-CLAMP	-	018-0315-FILT-P	068-0315-JF1
		018-CV31-45-1M				
		018-CV31-90-3M				
<a href="#">SEL315/2A-1AC</a>	018-315-DAMPER	018-CV31-30-1M	018-315-CLAMP	-	018-0315-FILT-P	068-0315-JF1
		018-CV31-45-1M				
		018-CV31-90-3M				
<a href="#">SEL355/2-1AC</a>	018-355-DAMPER	018-CV35-90-3M	018-355-CLAMP	-	018-0355-FILT-P	068-0355-JF1
<a href="#">SEL355/4-1AC</a>	018-355-DAMPER	018-CV35-90-3M	018-355-CLAMP	-	018-0355-FILT-P	068-0355-JF1
<a href="#">SEL400/4-1AC</a>	018-400-DAMPER	018-CV40-90-3M	018-400-CLAMP	-	018-0400-FILT-P	068-0400-JF1
		018-CV40-120-3E				
<a href="#">SEL450/4-1AC</a>	-	-	018-450-CLAMP	061B-0450	-	068-0450-1DENP
<a href="#">SEL500/4-1AC</a>	-	-	018-500-CLAMP	061B-0500	-	068-0500-1DENP
<a href="#">SEL560/4-1AC</a>	-	-	018-560-CLAMP	061B-0560	-	068-0560-1DENP
<a href="#">SEL630/4-1AC</a>	-	-	018-630-CLAMP	061B-0630	-	068-0630-1DENP

Product Code	Spigot Silencer 600mm Long	Spigot Silencer 900mm Long	Spigot Silencer 1200mm Long	Transformer Controller	Wiring Diagram
<a href="#">SEL250/2-1AC</a>	068-0250-JF2	068-0250-JF3	068-0250-JF4	149-TC12	152-539
<a href="#">SEL315/2B-1AC</a>	068-0315-JF2	068-0315-JF3	068-0315-JF4	149-TC14	152-540
<a href="#">SEL315/2A-1AC</a>	068-0315-JF2	068-0315-JF3	068-0315-JF4	149-TC14	152-540
<a href="#">SEL355/2-1AC</a>	068-0355-JF2	068-0355-JF3	068-0355-JF4	149-TC18	152-540
<a href="#">SEL355/4-1AC</a>	068-0355-JF2	068-0355-JF3	068-0355-JF4	149-TC12	152-540
<a href="#">SEL400/4-1AC</a>	068-0400-JF2	068-0400-JF3	068-0400-JF4	149-TC14	152-541
<a href="#">SEL450/4-1AC</a>	068-0450-2DENP	-	-	149-TC14	152-542
<a href="#">SEL500/4-1AC</a>	068-0500-2DENP	-	-	149-TC18	152-542
<a href="#">SEL560/4-1AC</a>	068-0560-2DENP	-	-	149-TC110	152-542
<a href="#">SEL630/4-1AC</a>	068-0630-2DENP	-	-	149-TC116	152-542

# MULTIFLOW SEL



## Accessories

### Three Phase

Product Code	Damper	EC Electronic Controller	Electric Heater Battery	Fast Clamps (each)	Matching Flanges (each)	Panel Filter
<b>SEL250/2-13PAC*</b>	018-250-DAMPER	149-POT-10	018-CV25-30-1M	018-250-CLAMP	-	018-0250-FILT-P
<b>SEL315/2-13PAC*</b>	018-315-DAMPER	149-POT-10	018-CV31-30-1M	018-315-CLAMP	-	018-0315-FILT-P
			018-CV31-45-1M			
			018-CV31-90-3M			
<b>SEL355/2-13PAC*</b>	018-355-DAMPER	149-POT-10	018-CV35-90-3M	018-355-CLAMP	-	018-0355-FILT-P
<b>SEL400/2-3PAC</b>	018-400-DAMPER	149-POT-10	018-CV40-90-3M	018-400-CLAMP	-	018-0400-FILT-P
			018-CV40-120-3E			
<b>SEL400/4-3PAC*</b>	018-400-DAMPER	149-POT-10	018-CV40-90-3M	018-400-CLAMP	-	018-0400-FILT-P
			018-CV40-120-3E			
<b>SEL450/4-3PAC*</b>	-	149-POT-10	-	018-450-CLAMP	061B-0450	-
<b>SEL500/4-3PAC*</b>	-	149-POT-10	-	018-500-CLAMP	061B-0500	018-0500-FILT-P
<b>SEL560/4-3PAC</b>	-	149-POT-10	-	018-560-CLAMP	061B-0560	-
<b>SEL630/4-3PAC</b>	-	149-POT-10	-	018-630-CLAMP	061B-0630	-
<b>SEL710/4-3PAC</b>	-	149-POT-10	-	018-710-CLAMP	061B-0710	-

Product Code	SEL AC Electronic Controller	Spigot Silencer 300mm Long	Spigot Silencer 600mm Long	Spigot Silencer 900mm Long	Spigot Silencer 1200mm Long	Wiring Diagram
<b>SEL250/2-13PAC*</b>	149-FU07501	068-0250-JF1	068-0250-JF2	068-0250-JF3	068-0250-JF4	152-544
<b>SEL315/2-13PAC*</b>	149-FU07501	068-0315-JF1	068-0315-JF2	068-0315-JF3	068-0315-JF4	152-544
<b>SEL355/2-13PAC*</b>	149-FU07501	068-0355-JF1	068-0355-JF2	068-0355-JF3	068-0355-JF4	152-544
<b>SEL400/2-3PAC</b>	149-FU2205	068-0400-JF1	068-0400-JF2	068-0400-JF3	068-0400-JF4	152-544
<b>SEL400/4-3PAC*</b>	149-FU07501	068-0400-JF1	068-0400-JF2	068-0400-JF3	068-0400-JF4	152-544
<b>SEL450/4-3PAC*</b>	149-FU1501	068-0450-1DENP	068-0450-2DENP	-	-	152-544
<b>SEL500/4-3PAC*</b>	149-FU2201	068-0500-1DENP	068-0500-2DENP	-	-	152-544
<b>SEL560/4-3PAC</b>	149-FU2205	068-0560-1DENP	068-0560-2DENP	-	-	152-544
<b>SEL630/4-3PAC</b>	149-FU3004	068-0630-1DENP	068-0630-2DENP	-	-	152-544
<b>SEL710/4-3PAC</b>	149-FU4004	068-0710-1DENP	068-0710-2DENP	-	-	152-544

\* THREE Phase - 230V / 50Hz

# MULTIFLOW SEL



## Accessories

### Single Phase

Product Code	EC Controller	EC Electronic Controller	Electric Heater Battery	Fast Clamps (each)	Matching Flanges (each)
<a href="#">SEL150-1PEC</a>	-	149-POT-10-MI	018-CV15-27-1M	018-150-CLAMP	-
<a href="#">SEL200-1PEC</a>	-	149-POT-10-MI	018-CV20-30-1M	018-200-CLAMP	-
<a href="#">SEL400-1PEC</a>	149-ECC1401	149-POT-10-MI	018-CV40-90-3M 018-CV40-120-3E	018-400-CLAMP	-
<a href="#">SEL450-1PEC</a>	149-ECC1401	149-POT-10-MI	-	018-450-CLAMP	061B-0450

Product Code	Panel Filter	Spigot / Flanged Silencer 300mm Long	Spigot / Flanged Silencer 600mm Long	Spigot Silencer 900mm Long	Spigot Silencer 1200mm Long	Wiring Diagram
<a href="#">SEL150-1EC</a>	018-0150-FILT-P	068-0150-JF1	068-0150-JF2	068-0150-JF3	068-0150-JF4	152-546
<a href="#">SEL200-1EC</a>	018-0200-FILT-P	068-0200-JF1	068-0200-JF2	068-0200-JF3	068-0200-JF4	152-546
<a href="#">SEL400-1PEC</a>	018-0400-FILT-P	068-0400-JF1	068-0400-JF2	068-0400-JF3	068-0400-JF4	152-547
<a href="#">SEL450-1PEC</a>	-	068-0450-1DENP	068-0450-2DENP	-	-	152-547

# MULTIFLOW SEL



## Accessories

### Three Phase

Product Code	EC Controller	EC Electronic Controller	Fast Clamps (each)	Flanged Silencer 300mm Long
<a href="#">SEL500-3PEC</a>	149-ECC2002	149-POT-10-MI	018-500-CLAMP	068-0500-1DENP
<a href="#">SEL560-3PEC</a>	149-ECC3001	149-POT-10-MI	018-560-CLAMP	068-0560-1DENP
<a href="#">SEL630-3PEC</a>	149-ECC3001	149-POT-10-MI	018-630-CLAMP	068-0630-1DENP
<a href="#">SEL710-3PEC</a>	149-ECC4501	149-POT-10-MI	018-710-CLAMP	068-0710-1DENP

Product Code	Flanged Silencer 600mm Long	Matching Flanges (each)	Panel Filter	Wiring Diagram
<a href="#">SEL500-3PEC</a>	068-0500-2DENP	061B-0500	018-0500-FILT-P	152-547
<a href="#">SEL560-3PEC</a>	068-0560-2DENP	061B-0560	-	152-547
<a href="#">SEL630-3PEC</a>	068-0630-2DENP	061B-0630	-	152-547
<a href="#">SEL710-3PEC</a>	068-0710-2DENP	061B-0710	-	152-547







## Building Services

Tel **+44 (0) 1384 275800**  
Fax **+44 (0) 1384 275810**  
Email **info@eltafans.co.uk**

46 Third Avenue, Pensnett Trading Estate, Kingswinford,  
West Midlands, DY6 7US United Kingdom

## Applied Technology & Building Services Export

Tel **+44 (0) 1489 566500**  
Fax **+44 (0) 1489 566555**  
Email **at@eltafans.co.uk / export@eltafans.co.uk**

17 Barnes Wallis Road, Segensworth East Industrial Estate,  
Fareham, Hampshire, PO15 5ST United Kingdom

**eltafans.com**

SEL-07-2022 Issue D



BS EN ISO 9001:2015 FM 556465

