



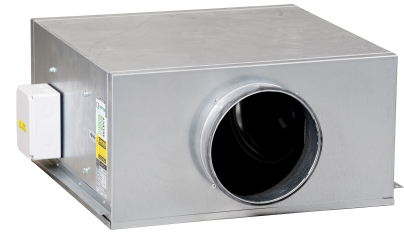
QUIETFLOW TWIN SQT

Centrifugal Twin Box Fan

QUIETFLOW TWIN SQT

Product Overview

- 7 standard sizes from 125mm to 500mm
- Air volume flow rates up to 1.819 m³/s
- Static pressures up to 1029 Pa
- Suitable for operating temperatures up to +60°C
- Available in **EC**



The Quietflow SQT fans are acoustically lined twin in-line centrifugal fans, suitable for internal duct mounting. The Quietflow incorporates advanced backward curved impellers, with three dimensional profiled blades.

Low Noise

Each unit is acoustically lined internally with Class O rated (BS 476 Parts 6 and 7) fire resistant acoustic foam lining minimising breakout noise levels.

Easy Installation

New Multi-mount brackets allow easy mounting in a range of orientations.

Easy Commissioning

Integrated commissioning control allowing single speed selection and also limiting maximum speed if used with an external potentiometer.

Efficient Performance

High efficiency low tonal noise backward curved centrifugal impellers are directly driven by EC external rotor motors, provide low specific fan powers and stepless speed control without tonal noise generation.

Weather Resistance

Units can be weatherproofed in the factory to allow external installation.

Controllability

EC motors providing precise speed control via potentiometer, BMS or Elta Fans DCV control. Reduced fan speeds can provide significant cost-savings through lower energy consumption in both mechanical energy of motors and also on the conditioning of replacement air.

Twin Fan Operation

Allowing control for auto changeover and duty share.

Warranty

Each SQT has a 12 month warranty.

Construction

Constructed from a robust 1.2mm galvanised mild steel sheet casing. Each casing provides spigots to suit standard circular ducting. A removable lid is provided as standard to allow easy maintenance and cleaning.

Motors

Units have EC external rotor motors fitted as standard. The motors contain sealed for life bearings. Thermal Class of motors to THCL 130 or 155 dependent on size. All motors are suitable for use in ambient air conditions up to +60°C.

Impellers

High efficiency low tonal noise backward curved centrifugal impellers, dynamically balanced to ISO 14694 Grade G6.3 and directly driven by the motor to provide a smooth airflow through the unit.

Typical Applications

- Toilets and Bathrooms
- Hotels
- Kitchens
- Residential
- Offices
- Libraries

Contents

Page	Information
3	Performance Range Curves
4	Performance, SFP & Electrical Data
8	Sound Data
11	Dimensional Data
12	EcoDesign 1253/2014
13	Accessories

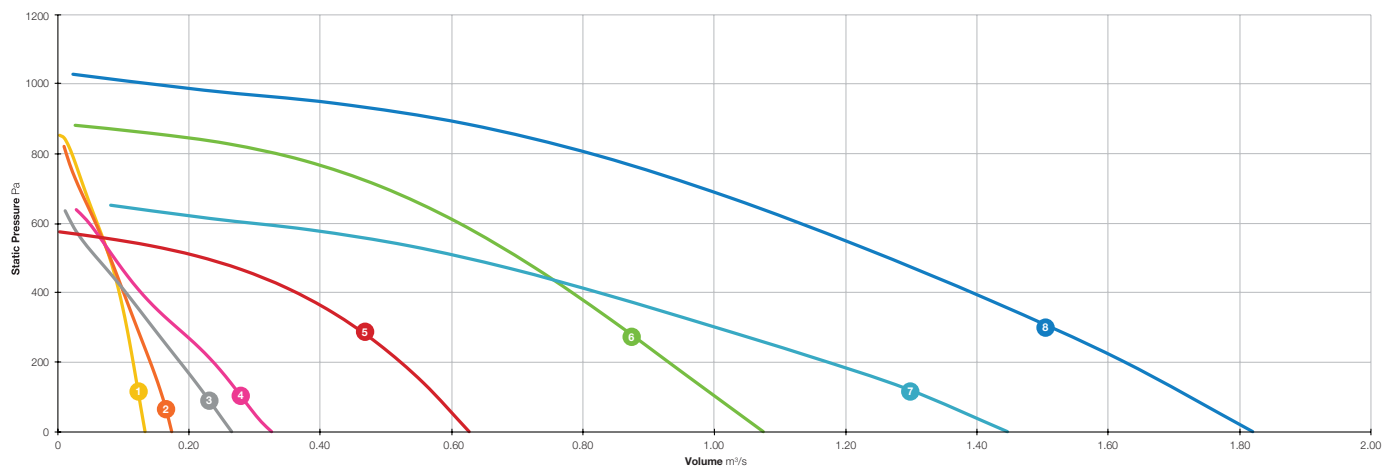
Product Coding

Code	Reference
SQT	Product Range
125	Diameter (125/150/200...)
-	
1	Voltage Supply (Single Phase / Three Phase)
EC	Motor Type (AC/EC)
A - Z	Additional Coding (A - Z) Product Variants
e.g.	SQT125 / 1ECL

QUIETFLOW TWIN SQT



Performance Range Curves



- 1 SQT125 / 1ECL
- 2 SQT150 / 1ECL
- 3 SQT200 / 1ECL

- 4 SQT250 / 1ECL
- 5 SQT315 / 1ECL
- 6 SQT400 / 1ECL

- 7 SQT500 / 1ECL
- 8 SQT500 / 3ECL

QUIETFLOW TWIN SQT



Performance, SFP & Electrical Data

Single Phase 220V to 277V / 50Hz or 60Hz

Product Code	Control Voltage V	Speed r/min	Airflow SFP	Airflow m ³ /s @ Static Pressure Pa												At Best Efficiency Point		Electrical Data	dBA @ 3m	
				0	25	50	75	100	150	200	250	300	350	400	500	Overall Eff %	Input kW	Peak Amps		
SQT125-1ECL	10	4345	m ³ /s	0.132	0.130	0.127	0.125	0.123	0.118	0.114	0.109	0.104	0.099	0.093	0.078	26.8	0.168	1.41	Inlet	50
			W/(L/s)	1.26	1.28	1.31	1.33	1.35	1.40	1.46	1.52	1.60	1.68	1.79	2.13				Outlet	52
			Breakout	42																
	8	4185	m ³ /s	0.118	0.115	0.113	0.110	0.108	0.103	0.099	0.094	0.089	0.083	0.076	0.055	22.3	0.159	1.34	Inlet	48
			W/(L/s)	1.34	1.37	1.40	1.43	1.46	1.53	1.60	1.68	1.79	1.91	2.07	2.81				Outlet	48
			Breakout	42																
	5	2505	m ³ /s	0.070	0.066	0.062	0.058	0.053	0.039	0.012	-	-	-	-	-	21.0	0.034	0.34	Inlet	40
			W/(L/s)	0.49	0.52	0.55	0.60	0.65	0.85	2.40	-	-	-	-	-				Outlet	38
			Breakout	42																
	2	805	m ³ /s	0.022	-	-	-	-	-	-	-	-	-	-	-	4.2	0.004	0.06	Inlet	-
			W/(L/s)	0.20	-	-	-	-	-	-	-	-	-	-	-				Outlet	-
			Breakout	-																
SQT150-1ECL	10	3840	m ³ /s	0.174	0.170	0.167	0.163	0.159	0.151	0.141	0.131	0.121	0.110	0.100	0.080	27.5	0.170	1.28	Inlet	50
			W/(L/s)	0.97	0.99	1.01	1.04	1.06	1.13	1.20	1.30	1.41	1.53	1.68	2.11				Outlet	50
			Breakout	43																
	8	3820	m ³ /s	0.169	0.166	0.163	0.159	0.155	0.147	0.138	0.128	0.119	0.108	0.098	0.075	27.0	0.167	1.27	Inlet	47
			W/(L/s)	0.93	0.95	0.97	0.99	1.02	1.08	1.17	1.27	1.39	1.53	1.70	2.19				Outlet	50
			Breakout	43																
	5	2260	m ³ /s	0.103	0.094	0.087	0.080	0.073	0.058	0.034	-	-	-	-	-	26.6	0.039	0.29	Inlet	38
			W/(L/s)	0.38	0.39	0.43	0.47	0.53	0.67	1.08	-	-	-	-	-				Outlet	43
			Breakout	43																
	2	725	m ³ /s	0.031	-	-	-	-	-	-	-	-	-	-	-	0.0	0.001	0.32	Inlet	-
			W/(L/s)	0.12	-	-	-	-	-	-	-	-	-	-	-				Outlet	-
			Breakout	-																
SQT200-1ECL	10	3235	m ³ /s	0.264	0.254	0.245	0.235	0.226	0.206	0.185	0.165	0.144	0.124	0.103	0.059	29.2	0.171	1.64	Inlet	54
			W/(L/s)	0.65	0.67	0.70	0.72	0.76	0.83	0.92	1.03	1.18	1.37	1.65	2.87				Outlet	54
			Breakout	48																
	8	2960	m ³ /s	0.226	0.219	0.211	0.204	0.196	0.178	0.158	0.134	0.108	0.083	0.061	-	29.0	0.134	1.31	Inlet	50
			W/(L/s)	0.51	0.54	0.57	0.60	0.63	0.72	0.83	0.99	1.23	1.56	2.06	-				Outlet	51
			Breakout	45																
	5	1765	m ³ /s	0.134	0.119	0.104	0.087	0.065	-	-	-	-	-	-	-	24.6	0.033	0.34	Inlet	40
			W/(L/s)	0.21	0.25	0.30	0.37	0.49	-	-	-	-	-	-	-				Outlet	41
			Breakout	35																
	2	565	m ³ /s	0.040	-	-	-	-	-	-	-	-	-	-	-	3.1	0.004	0.06	Inlet	-
			W/(L/s)	0.10	-	-	-	-	-	-	-	-	-	-	-				Outlet	-
			Breakout	-																

Data provided is at standard air density of 1.2 kg/m³.

Data in accordance with ErP 1253/2014 of the European Parliament. Product category is NRVU. Measurement category used to determine energy efficiency: D.

A variable speed drive is integrated within the fan.

Peak Amps @ 230V / 1PH / 50Hz.

The overall A-weighted sound pressure level is at a distance of 3m with spherical free-field propagation. It is expressed in dB re-20μPa and is presented for comparative purposes only.

QUIETFLOW TWIN SQT



Performance, SFP & Electrical Data

Single Phase 220V to 277V / 50Hz or 60Hz

Product Code	Control Voltage V	Speed r/min	Airflow SFP	Airflow m ³ /s @ Static Pressure Pa												At Best Efficiency Point		Electrical Data	dBA @ 3m	
				0	25	50	75	100	150	200	250	300	350	400	500	Overall Eff %	Input kW	Peak Amps		
SQT250-1ECL	10	2440	m ³ /s	0.325	0.311	0.300	0.289	0.279	0.259	0.236	0.210	0.181	0.152	0.127	0.086	36.4	0.170	1.64	Inlet	50
			W/(L/s)	0.52	0.55	0.57	0.59	0.61	0.66	0.72	0.81	0.94	1.12	1.34	1.97				Outlet	50
			Breakout	44																
	8	2445	m ³ /s	0.327	0.315	0.303	0.292	0.282	0.260	0.237	0.213	0.186	0.158	0.129	0.073	33.0	0.170	1.64	Inlet	47
			W/(L/s)	0.52	0.54	0.56	0.58	0.60	0.65	0.72	0.80	0.91	1.08	1.32	2.30				Outlet	48
			Breakout	42																
	5	1550	m ³ /s	0.201	0.174	0.154	0.136	0.119	0.078	-	-	-	-	-	-	27.8	0.044	0.49	Inlet	36
			W/(L/s)	0.21	0.25	0.29	0.34	0.39	0.55	-	-	-	-	-	-				Outlet	35
			Breakout	27																
	2	495	m ³ /s	0.061	-	-	-	-	-	-	-	-	-	-	-	6.2	0.004	0.06	Inlet	20
			W/(L/s)	0.07	-	-	-	-	-	-	-	-	-	-	-				Outlet	20
			Breakout	20																
SQT315-1ECL	10	2011	m ³ /s	0.625	0.614	0.602	0.590	0.577	0.550	0.521	0.489	0.453	0.411	0.362	0.220	40.7	0.428	1.96	Inlet	51
			W/(L/s)	0.61	0.63	0.65	0.67	0.69	0.74	0.79	0.85	0.92	0.99	1.10	1.55				Outlet	51
			Breakout	47																
	8	1600	m ³ /s	0.493	0.480	0.465	0.450	0.434	0.397	0.352	0.294	0.207	0.038	-	-	41.5	0.217	1.04	Inlet	43
			W/(L/s)	0.41	0.42	0.44	0.46	0.49	0.54	0.61	0.71	0.93	3.71	-	-				Outlet	43
			Breakout	40																
	5	967	m ³ /s	0.296	0.272	0.243	0.207	0.152	-	-	-	-	-	-	-	32.7	0.061	0.32	Inlet	36
			W/(L/s)	0.20	0.22	0.25	0.29	0.38	-	-	-	-	-	-	-				Outlet	32
			Breakout	28																
	2	329	m ³ /s	0.097	-	-	-	-	-	-	-	-	-	-	-	4.8	0.015	0.11	Inlet	20
			W/(L/s)	0.16	-	-	-	-	-	-	-	-	-	-	-				Outlet	20
			Breakout	20																
SQT400-1ECL	10	2201	m ³ /s	1.074	1.055	1.037	1.019	1.001	0.965	0.930	0.894	0.858	0.821	0.783	0.702	45.8	0.914	4.25	Inlet	58
			W/(L/s)	0.80	0.82	0.83	0.85	0.87	0.90	0.94	0.98	1.02	1.07	1.12	1.25				Outlet	57
			Breakout	53																
	8	1769	m ³ /s	0.844	0.819	0.795	0.772	0.751	0.709	0.668	0.626	0.582	0.535	0.481	0.317	46.4	0.491	2.33	Inlet	51
			W/(L/s)	0.54	0.56	0.58	0.60	0.61	0.65	0.70	0.75	0.81	0.88	0.98	1.41				Outlet	52
			Breakout	47																
	5	1063	m ³ /s	0.514	0.481	0.446	0.408	0.365	0.259	0.035	-	-	-	-	-	36.3	0.139	0.64	Inlet	40
			W/(L/s)	0.24	0.27	0.29	0.32	0.36	0.49	2.70	-	-	-	-	-				Outlet	41
			Breakout	34																
	2	356	m ³ /s	0.172	-	-	-	-	-	-	-	-	-	-	-	21.1	0.034	0.20	Inlet	20
			W/(L/s)	0.04	-	-	-	-	-	-	-	-	-	-	-				Outlet	20
			Breakout	20																

Data provided is at standard air density of 1.2 kg/m³.

Data in accordance with ErP 1253/2014 of the European Parliament. Product category is NRVU. Measurement category used to determine energy efficiency: D.

A variable speed drive is integrated within the fan.

Peak Amps @ 230V / 1PH / 50Hz.

The overall A-weighted sound pressure level is at a distance of 3m with spherical free-field propagation. It is expressed in dB re-20µPa and is presented for comparative purposes only.

QUIETFLOW TWIN SQT



Performance, SFP & Electrical Data

Single Phase 220V to 277V / 50Hz or 60Hz

Product Code	Control Voltage V	Speed r/min	Airflow SFP	Airflow m³/s @ Static Pressure Pa												At Best Efficiency Point		Electrical Data		dBA @ 3m	
				0	25	50	75	100	150	200	250	300	350	400	500	Overall Eff %	Input kW	Peak Amps			
SQT500-1ECL	10	2201	m³/s	1.445	1.419	1.390	1.359	1.325	1.252	1.172	1.088	1.001	0.914	0.823	0.621	48.1	0.774	3.50	Inlet	51	
			W/(L/s)	0.49	0.50	0.52	0.53	0.55	0.60	0.65	0.70	0.77	0.84	0.92	1.17				Outlet	51	
			Breakout	50																	
	8	1158	m³/s	1.184	1.127	1.076	1.028	0.981	0.890	0.797	0.697	0.584	0.441	0.205	-	50.0	0.435	1.99	Inlet	45	
			W/(L/s)	0.33	0.34	0.36	0.38	0.40	0.45	0.50	0.58	0.69	0.90	1.72	-				Outlet	47	
			Breakout	44																	
	5	695	m³/s	0.696	0.631	0.559	0.477	0.378	-	-	-	-	-	-	-	42.2	0.109	0.52	Inlet	32	
			W/(L/s)	0.14	0.16	0.19	0.22	0.28	-	-	-	-	-	-	-				Outlet	32	
			Breakout	30																	
	2	233	m³/s	0.235	-	-	-	-	-	-	-	-	-	-	-	39.0	0.005	0.19	Inlet	20	
			W/(L/s)	0.02	-	-	-	-	-	-	-	-	-	-	-				Outlet	20	
			Breakout	20																	

Data provided is at standard air density of 1.2 kg/m³.

Data in accordance with ErP 1253/2014 of the European Parliament. Product category is NRVU. Measurement category used to determine energy efficiency: D.

A variable speed drive is integrated within the fan.

Peak Amps @ 230V / 1PH / 50Hz.

The overall A-weighted sound pressure level is at a distance of 3m with spherical free-field propagation. It is expressed in dB re-20µPa and is presented for comparative purposes only.

QUIETFLOW TWIN SQT



Performance, SFP & Electrical Data

Three Phase 380V to 480V / 50Hz or 60Hz

Product Code	Control Voltage V	Speed r/min	Airflow SFP	Airflow m³/s @ Static Pressure Pa												At Best Efficiency Point		Electrical Data	dBA @ 3m	
				0	25	50	75	100	150	200	250	300	350	400	500	Overall Eff %	Input kW	Peak Amps		
SQT500-3ECL	10	1800	m³/s	1.819	1.797	1.744	1.751	1.727	1.677	1.625	1.570	1.512	1.453	1.392	1.265	50.6	1.482	2.29	Inlet	58
			W/(L/s)	0.76	0.77	0.79	0.80	0.82	0.85	0.88	0.92	0.97	1.01	1.06	1.17				Outlet	58
																			Breakout	56
	8	1451	m³/s	1.480	1.443	1.407	1.373	1.340	1.274	1.208	1.141	1.072	0.997	0.916	0.710	52.5	0.806	1.32	Inlet	51
			W/(L/s)	0.48	0.50	0.52	0.54	0.56	0.60	0.64	0.69	0.74	0.80	0.87	1.10				Outlet	52
																			Breakout	50
	5	871	m³/s	0.875	0.827	0.775	0.719	0.656	0.505	0.292	-	-	-	-	-	47.1	0.192	0.47	Inlet	37
			W/(L/s)	0.20	0.22	0.24	0.26	0.29	0.37	0.58	-	-	-	-	-				Outlet	38
																			Breakout	36
	2	292	m³/s	0.304	-	-	-	-	-	-	-	-	-	-	-	14.8	0.025	0.16	Inlet	20
			W/(L/s)	0.08	-	-	-	-	-	-	-	-	-	-	-				Outlet	20
																			Breakout	20

Data provided is at standard air density of 1.2 kg/m³.

Data in accordance with ErP 1253/2014 of the European Parliament. Product category is NRVU. Measurement category used to determine energy efficiency: D.

A variable speed drive is integrated within the fan.

Peak Amps @ 400V / 3PH / 50Hz.

The overall A-weighted sound pressure level is at a distance of 3m with spherical free-field propagation. It is expressed in dB re-20µPa and is presented for comparative purposes only.

QUIETFLOW TWIN SQT



Sound Data

Single Phase 220V to 277V / 50Hz or 60Hz

Product Code	Control Voltage V		Sound Power Level dBW @ Octave Band Hz								Total dB
			63Hz	125Hz	250Hz	500Hz	1kHz	2kHz	4kHz	8kHz	
SQT125-1ECL	10	Inlet	82	74	74	71	58	52	47	49	83
		Outlet	80	75	78	70	64	53	49	49	83
		Breakout	54	58	64	62	57	51	43	40	68
	8	Inlet	76	74	73	68	54	50	45	46	80
		Outlet	77	73	73	69	58	50	47	46	80
		Breakout	54	58	64	62	57	51	43	40	68
	5	Inlet	64	67	68	57	41	40	33	29	72
		Outlet	67	64	66	52	44	38	34	29	71
		Breakout	54	58	64	62	57	51	43	40	68
SQT150-1ECL	10	Inlet	85	74	73	71	58	54	51	52	86
		Outlet	84	77	75	69	62	54	52	53	85
		Breakout	59	60	66	63	57	51	46	45	69
	8	Inlet	73	72	72	67	55	52	48	49	78
		Outlet	80	76	77	67	59	51	50	50	83
		Breakout	59	60	66	63	57	51	46	45	69
	5	Inlet	66	65	64	57	43	42	39	31	70
		Outlet	70	68	72	54	47	41	42	36	75
		Breakout	59	60	66	63	57	51	46	45	69
SQT200-1ECL	10	Inlet	80	77	79	75	63	59	56	55	84
		Outlet	87	83	79	73	64	58	55	55	89
		Breakout	63	66	70	69	62	57	50	41	74
	8	Inlet	77	73	74	70	59	55	53	51	80
		Outlet	83	80	76	70	60	55	53	52	85
		Breakout	61	64	69	65	59	53	47	39	72
	5	Inlet	64	67	65	60	46	44	40	38	71
		Outlet	73	72	68	55	45	42	39	35	76
		Breakout	49	59	59	55	46	42	35	29	63
SQT250-1ECL	10	Inlet	78	73	75	70	59	54	53	51	81
		Outlet	79	75	77	67	60	57	53	51	82
		Breakout	60	63	71	63	56	49	42	37	73
	8	Inlet	75	70	73	66	55	49	48	47	78
		Outlet	76	73	76	62	56	52	49	47	80
		Breakout	58	60	69	60	52	44	37	33	70
	5	Inlet	67	67	58	55	43	37	38	28	70
		Outlet	67	68	57	50	44	39	38	32	71
		Breakout	47	55	50	48	39	32	24	20	57

Data provided at standard air density of 1.2 Kg/m³.
Tests and preparation of the sound data have been carried out in accordance with BS 848 Part 2:1985 at 50% peak pressure.
The Sound Power Level Spectra are in dB re-1pW.

QUIETFLOW TWIN SQT



Sound Data

Single Phase 220V to 277V / 50Hz or 60Hz

Product Code	Control Voltage V		Sound Power Level dBW @ Octave Band Hz								Total dB
			63Hz	125Hz	250Hz	500Hz	1kHz	2kHz	4kHz	8kHz	
SQT315-1ECL	10	Inlet	75	73	78	69	53	55	50	48	81
		Outlet	77	74	77	70	59	55	52	49	81
		Breakout	66	67	74	65	58	52	46	40	76
	8	Inlet	70	74	68	59	47	49	44	40	76
		Outlet	72	76	63	61	53	49	46	42	78
		Breakout	61	69	64	59	52	46	39	34	71
	5	Inlet	63	71	58	45	35	36	30	17	72
		Outlet	63	67	51	46	40	36	30	17	69
		Breakout	51	58	55	44	38	32	25	19	60
SQT400-1ECL	10	Inlet	81	77	87	71	66	62	59	58	88
		Outlet	82	78	80	77	69	65	62	59	86
		Breakout	73	72	79	71	67	61	54	47	81
	8	Inlet	77	79	78	67	59	56	53	50	83
		Outlet	79	79	77	72	63	58	56	52	84
		Breakout	67	71	73	65	60	54	48	42	76
	5	Inlet	67	75	63	51	44	44	40	29	76
		Outlet	69	76	59	55	48	46	41	33	77
		Breakout	58	65	58	50	46	42	35	28	67
SQT500-1ECL	10	Inlet	77	84	75	64	59	57	53	52	85
		Outlet	78	82	73	71	62	57	54	50	84
		Breakout	73	79	73	69	61	54	47	42	81
	8	Inlet	74	77	71	59	53	50	48	48	79
		Outlet	75	80	67	65	56	51	49	44	81
		Breakout	69	75	67	63	56	48	41	37	77
	5	Inlet	71	63	58	45	38	37	35	26	72
		Outlet	72	62	53	51	41	37	34	25	72
		Breakout	64	59	54	49	42	35	24	21	66

Data provided at standard air density of 1.2 Kg/m³.
 Tests and preparation of the sound data have been carried out in accordance with BS 848 Part 2:1985 at 50% peak pressure.
 The Sound Power Level Spectra are in dB re-1pW.

QUIETFLOW TWIN SQT



Sound Data

Three Phase 380V to 480V / 50Hz or 60Hz

Product Code	Control Voltage V		Sound Power Level dBW @ Octave Band Hz							Total dB	
			63Hz	125Hz	250Hz	500Hz	1kHz	2kHz	4kHz		8kHz
SQT500-3ECL	10	Inlet	81	84	86	72	66	65	62	56	89
		Outlet	82	83	83	77	69	65	62	56	88
		Breakout	77	80	81	75	68	61	54	49	85
	8	Inlet	77	84	76	65	59	57	52	51	85
		Outlet	78	82	74	71	62	57	55	50	84
		Breakout	73	78	74	69	61	54	48	43	81
	5	Inlet	72	68	63	51	44	46	41	35	74
		Outlet	73	69	59	56	47	44	41	32	75
		Breakout	65	64	60	55	47	43	36	29	68

Data provided at standard air density of 1.2 kg/m³.
 Tests and preparation of the sound data have been carried out in accordance with BS 848 Part 2:1985 at 50% peak pressure.
 The Sound Power Level Spectra are in dB re-1pW.

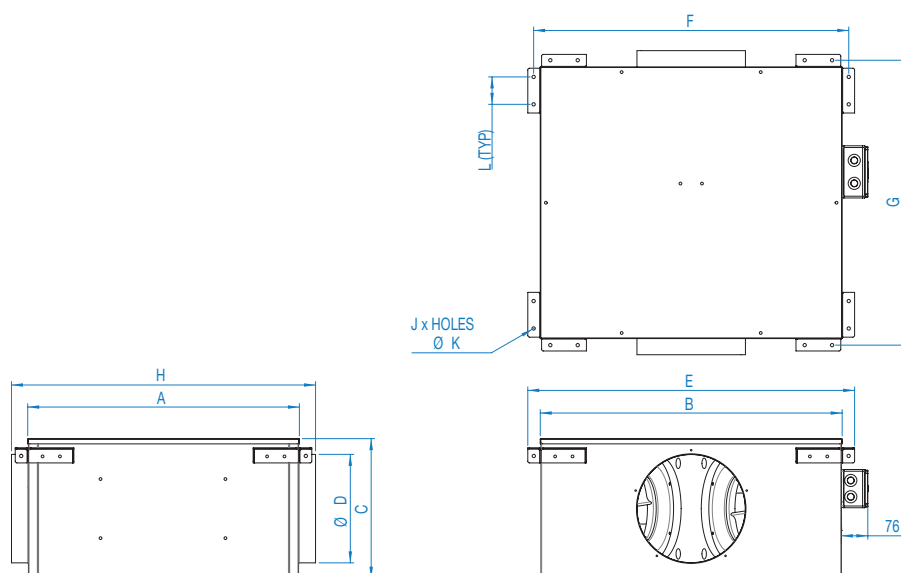
QUIETFLOW TWIN SQT



Dimensional Data

Single & Three Phase

Product Code	A	B	C	D	E	F	G	H	J	K	Weight kg
SQT125-1ECL	592	553	261	125	594	574	614	687	16	8	26
SQT150-1ECL	592	553	261	150	594	574	614	687	16	8	26
SQT200-1ECL	633	654	302	200	694	653	675	726	16	8	33
SQT250-1ECL	633	654	332	250	694	653	675	726	16	8	34
SQT315-1ECL	781	868	401	315	940	906	819	875	16	8	56
SQT400-1ECL	883	1024	473	400	1094	1060	920	975	16	10	82
SQT500-1ECL	1019	1258	602	500	1328	1294	1058	1113	16	10	128
SQT500-3ECL	1019	1258	602	500	1328	1294	1058	1113	16	10	128



Dimensions are in mm.

QUIETFLOW TWIN SQT



EcoDesign 1253/2014 - Information Requirements

REV2 01/05/2018

A	B	C*			D	E	F	G	H	I	J	K	L	N	O	P	Q	R	S
		C.1	C.2	C.3															
Elta Fans Ltd	SQT125-1ECL	NRVU	UVU	2018	Variable-Speed	None	n/a	0.040	0.034	n/a	3.26	145	n/a	21.0	<2.5	n/a	n/a	63	www.eltafans.com
Elta Fans Ltd	SQT150-1ECL	NRVU	UVU	2018	Variable-Speed	None	n/a	0.060	0.039	n/a	3.40	158	n/a	26.6	<2.5	n/a	n/a	64	www.eltafans.com
Elta Fans Ltd	SQT200-1ECL	NRVU	UVU	2018	Variable-Speed	None	n/a	0.080	0.033	n/a	2.55	87	n/a	24.6	<2.5	n/a	n/a	69	www.eltafans.com
Elta Fans Ltd	SQT250-1ECL	NRVU	UVU	2018	Variable-Speed	None	n/a	0.180	0.170	n/a	3.67	300	n/a	36.4	<2.5	n/a	n/a	65	www.eltafans.com
Elta Fans Ltd	SQT315-1ECL	NRVU	UVU	2018	Variable-Speed	None	n/a	0.359	0.397	n/a	4.6	404	n/a	40.7	<2.5	n/a	n/a	51	www.eltafans.com
Elta Fans Ltd	SQT400-1ECL	NRVU	UVU	2018	Variable-Speed	None	n/a	0.608	0.874	n/a	4.84	603	n/a	45.8	<2.5	n/a	n/a	58	www.eltafans.com
Elta Fans Ltd	SQT500-1ECL	NRVU	UVU	2018	Variable-Speed	None	n/a	0.768	0.753	n/a	3.91	430	n/a	48.1	<2.5	n/a	n/a	51	www.eltafans.com
Elta Fans Ltd	SQT500-3ECL	NRVU	UVU	2018	Variable-Speed	None	n/a	1.007	1.466	n/a	5.13	685	n/a	50.6	<2.5	n/a	n/a	58	www.eltafans.com

- A** Manufacturer's Name
- B** Model Identifier
- C.1** RVU or NRVU
- C.2** UVU or BVU
- C.3** ErP Compliance
- D** Type of Drive (MSD or VSD)
- E** Type of HRS (Run Around or Other or None)
- F** Thermal Efficiency (% or N/A)
- G** Nominal Flow Rate (m³/s)
- H** Effective Electrical Power Input (kW)
- I** SFP Int (W/m³/s)
- J** Face Velocity (m/s)
- K** Nominal External Pressure (Pa)
- L** Internal Pressure Drop of Ventilation Components (Pa)
- N** Static Efficiency of Fan Used 327/2011
- O** Maximum External Leakage Rate (%)
- P** Energy Classification of Filters
- Q** Description of Visual Filter warning
- R** Casing Sound Power Level (LWA)
- S** Website for Disassembly Instructions

* Declared Typology C

QUIETFLOW TWIN SQT



Accessories

Single Phase

Product Code	ACO Panel	Box Fan AV Mounts (set of 4)*	Box Fan Flexible Connectors (each)	EC Electronic Controller	Electric Heater Battery	Fast Clamps (each)	Panel Filter
SQT125-1ECL	149-ACO14E	062-SEL03	018-0125-FLEX	149-POT-10-MI	018-CV12-12-1M	018-125-CLAMP	018-0125-FILT-P
SQT150-1ECL	149-ACO14E	062-SEL03	018-0150-FLEX	149-POT-10-MI	018-CV15-27-1M	018-150-CLAMP	018-0150-FILT-P
SQT200-1ECL	149-ACO14E	062-SEL03	018-0200-FLEX	149-POT-10-MI	018-CV20-30-1M	018-200-CLAMP	018-0200-FILT-P
SQT250-1ECL	149-ACO14E	062-SEL03	018-0250-FLEX	149-POT-10-MI	018-CV25-30-1M	018-250-CLAMP	018-0250-FILT-P
SQT315-1ECL	149-ACO14E	062-SEL03	018-0315-FLEX	149-POT-10-MI	018-CV31-30-1M	018-315-CLAMP	018-0315-FILT-P
					018-CV31-45-1M		
					018-CV31-90-3M		
SQT400-1ECL	149-ACO14E	062-SEL04	018-0400-FLEX	149-POT-10-MI	018-CV40-90-3M	018-400-CLAMP	018-0400-FILT-P
					018-CV40-120-3E		
SQT500-1ECL	149-ACO14E	062-SEL05	018-0500-FLEX	149-POT-10-MI	-	018-500-CLAMP	018-0500-FILT-P

Product Code	Spigot Silencer 300mm Long	Spigot Silencer 600mm Long	Spigot Silencer 900mm Long	Spigot Silencer 1200mm Long	Wiring Diagram
SQT125-1ECL	068-0125-JF1	068-0125-JF2	068-0125-JF3	068-0125-JF4	152-000236
SQT150-1ECL	068-0150-JF1	068-0150-JF2	068-0150-JF3	068-0150-JF4	152-000236
SQT200-1ECL	068-0200-JF1	068-0200-JF2	068-0200-JF3	068-0200-JF4	152-000236
SQT250-1ECL	068-0250-JF1	068-0250-JF2	068-0250-JF3	068-0250-JF4	152-000236
SQT315-1ECL	068-0315-JF1	068-0315-JF2	068-0315-JF3	068-0315-JF4	152-02298951
SQT400-1ECL	068-0400-JF1	068-0400-JF2	068-0400-JF3	068-0400-JF4	152-2MOEA03K1
SQT500-1ECL	068-0500-JF1	068-0500-JF2	068-0500-JF3	068-0500-JF4	152-2MOEA03K1

Three Phase

Product Code	ACO Panel	Box Fan AV Mounts (set of 4)*	Box Fan Flexible Connectors (each)	EC Electronic Controller	Electric Heater Battery	Fast Clamps (each)	Panel Filter
SQT500-3ECL	149-ACO3/B	062-SEL05	018-0500-FLEX	149-POT-10-MI	-	018-500-CLAMP	018-0500-FILT-P

Product Code	Spigot Silencer 300mm Long	Spigot Silencer 600mm Long	Spigot Silencer 900mm Long	Spigot Silencer 1200mm Long	Wiring Diagram
SQT500-3ECL	068-0500-JF1	068-0500-JF2	068-0500-JF3	068-0500-JF4	152-2MOEA03K3

*Supplied as a single mount.

ACO PANEL

Accessories

- A range of auto changeover controllers for use with AC or EC single or three phase twin fans
- Power on indication
- Fail indication
- Suitable for operating temperatures up to 40°C



Optional Features

Suitable for use with speed controllers to a minimum voltage of 70V.

Duty Share/ Remote Enable and VFC Fail standard on ACO18 and 14E models.

Single Phase 220V to 240V / 50Hz or 60Hz

Product Code	Max Peak Current Amps	Weight kg	IP Rating
149-ACO14E	4	0.3	20

B - For use as either Electric type or Air, suitable for speed control to minimum 70V.
For additional options refer to suffix list and options compatibility table.

Three Phase 400V / 50Hz

Product Code	Max Peak Current Amps	Weight kg	IP Rating
149-ACO3/B	9	3	51

B - For use with three phase twin fans up to 4kW.

Optional Features

Option	Description	Suffix
Duty Share	Automatically changes between fan 1 and fan 2 at a pre- determined time as selected via internal time clock.	D
Volt Free Contact (fail indication)	A volt free contact that can be used to connect a visual / audible alarm located externally to the panel, also for use with energy management systems.	V
Remote On / Off	A volt free contact or 240V connection terminal to allow the auto changeover panel to be remotely switched On and Off.	O

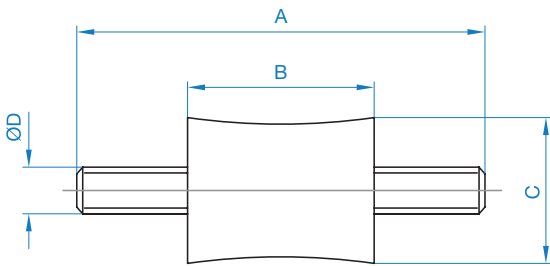
BOX FAN AV MOUNTS

Overview



- Fits directly to fan
- Rubber with steel insert
- Supplied as a single mount and with complete fixings
- Typical installation requires 4 or 6 mounts per fan

Product Code	A	B	C	D	Weight kg
062-SEL01	45	19	13	M5	0.044
062-SEL02	40	15	15	M5	0.052
062-SEL03	70	32	25	M8	0.210
062-SEL04	60	20	25	M8	0.186
062-SEL05	60	20	25	M8	0.187



Dimensions are in mm.

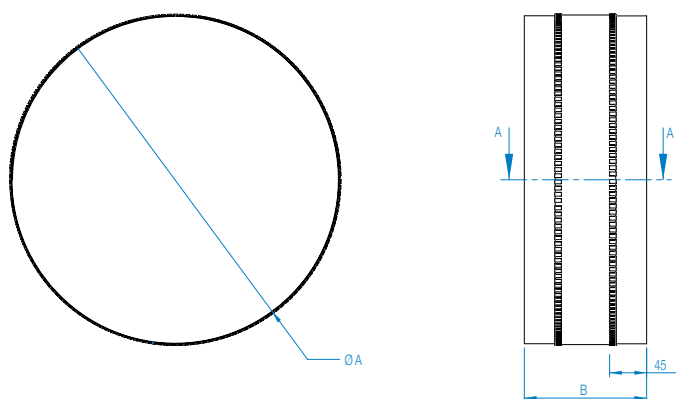
BOX FAN FLEXIBLE CONNECTOR

Accessories

- Fix directly on to spigot
- Provides flexible connection between fan and accessory or duct
- PVC coated polyester with galvanised sheet steel



Product Code	Fan Dia. A	B	Weight kg
018-0125-FLEX	125	150	0.2
018-0150-FLEX	150	150	0.2
018-0200-FLEX	200	150	0.3
018-0250-FLEX	250	150	0.4
018-0315-FLEX	315	150	0.5
018-0400-FLEX	400	150	0.7
018-0500-FLEX	500	150	1.0



Dimensions are in mm.

EC ELECTRONIC CONTROLLER

Accessories

- EC Type fans
- Variable Speed Drives (Inverters)



Product Code
149-POT-10-MI*

*-MI: Minimum speed adjustable by internal preset

ELECTRIC HEATER BATTERY

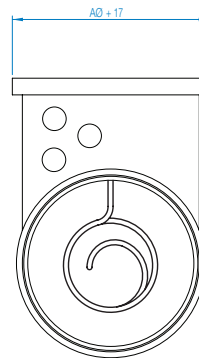
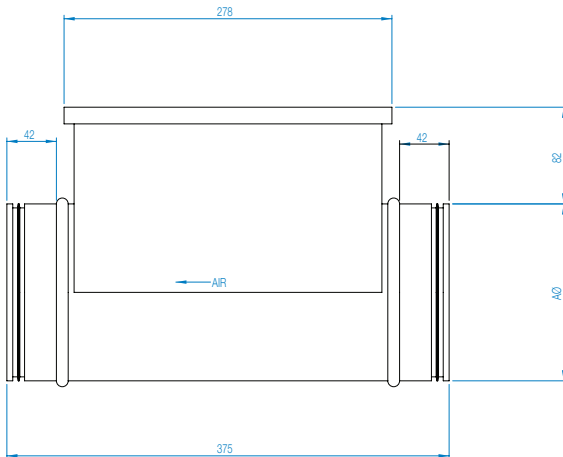
Accessories



Type

CV – (E/M) duct heater with casing of Aluzinc-coated sheet steel and stainless steel heater element to EN 1.4301. The duct heaters conform to air tightness class C to EN 15727. Control takes place by an external regulator and sensor that must be ordered separately.

Product Code	kW	Phase	Airflow @ m ³ /s		A	Weight kg
			Min	Max		
018-CV12-12-1M	1.2	1	0.019	0.093	125	3.0
018-CV15-27-1M	2.7	1	0.031	0.208	150	4.2
018-CV20-30-1M	3.0	1	0.047	0.231	200	5.9
018-CV25-30-1M	3.0	1	0.075	0.231	250	7.8
018-CV31-30-1M	3.0	1	0.115	0.231	315	8.3
018-CV31-45-1M	4.5	1	0.115	0.347	315	8.3
018-CV31-90-3M	9.0	3	0.115	0.694	315	8.3



Dimensions are in mm.

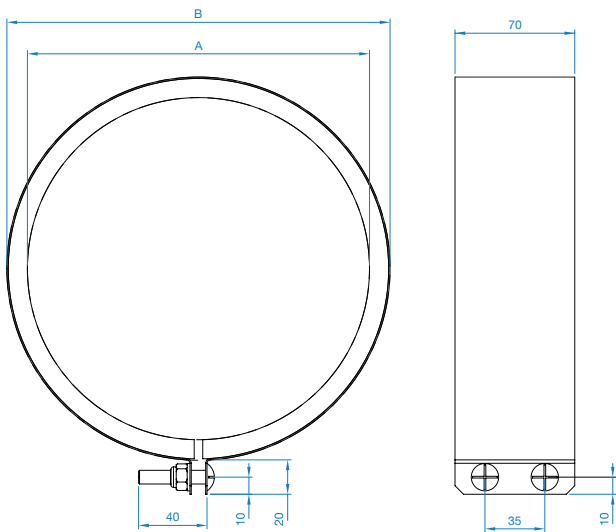
FAST CLAMPS

Accessories

- For quick connection of spigotted fans to circular duct or accessories
- Galvanised steel circular duct clamp with foam lining



Product Code	Fan Size	A Dia.	B Dia.	Weight kg
018-125-CLAMP	125	125	149	0.29
018-150-CLAMP	150	150	174	0.33
018-200-CLAMP	200	200	224	0.42
018-250-CLAMP	250	250	274	0.49
018-315-CLAMP	315	315	339	0.59
018-400-CLAMP	400	400	424	0.74
018-500-CLAMP	500	500	524	0.87

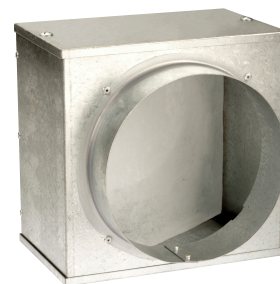


Dimensions are in mm.

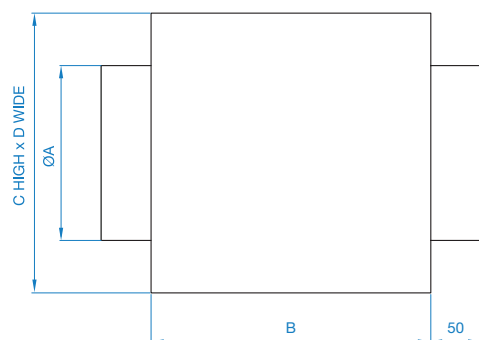
PANEL FILTER

Accessories

- Galvanised steel casing
- Filter media to BS EN 779 rating G2 with 85% arrestance
- Filter access with removable panel



Product Code	Fan Dia. A	B	C	D	Weight kg
018-0125-FILT-P	125	155	200	200	2
018-0150-FILT-P	150	155	250	250	2
018-0200-FILT-P	200	155	250	250	2
018-0250-FILT-P	250	200	300	300	3
018-0315-FILT-P	315	300	440	440	8
018-0400-FILT-P	400	400	440	440	8
018-0500-FILT-P	500	500	550	550	11



Dimensions are in mm.

SPIGOT SILENCER

Accessories

- Small metric range of attenuators with spigot connection
- Ideal for small fans
- Ideal for cross talk elimination
- Ideal for flexible or spiral ducting



Construction

Both types are rigidly constructed in galvanised sheet steel, with a highly absorbent sound attenuating lining between the outer casing and the inner perforated steel lining. The end faces of the silencer do not have threaded holes for fixings, but has a steel spigot for ease of mounting.

Melinex lined silencers must be used to prevent grease impregnation into the acoustic media for kitchen extract applications as prescribed in DW/172 HVAC Specification For Kitchen Ventilation Systems. For Melinex insertion losses, please contact Elta Fans. Silencers can be provided with differing lengths: 300, 600, 900 and 1200mm.

Silencer Attenuation

To determine the sound level of a fan fitted with a silencer, the dynamic insertion loss should be subtracted from the sound power level spectrum (dBW) of the fan. This should be done for the entire octave band mid-frequency spectrum. The fan dBW ratings and silencer attenuation apply equally to in duct applications, with a silencer connected between the fan and the duct system.

Dynamic Insertion Loss

The silencer attenuation is defined as the “dynamic insertion loss”. The values quoted in the tables represent the difference between the sound power level of a fan and silencer combination (dBW) and that of the fan alone (dBW). The dynamic insertion losses shown are the attenuations recorded under ideal working conditions. The achieved attenuation will vary according to the air velocity and flow pattern in the airways. Noise regeneration can occur at higher velocities, especially in EP silencers.

Square / Rectangular Silencers

In highly noise sensitive areas, where the circular silencers cannot achieve the necessary attenuation levels, Elta Fans can design and build optional splitter silencers for greater effect.

SPIGOT SILENCER

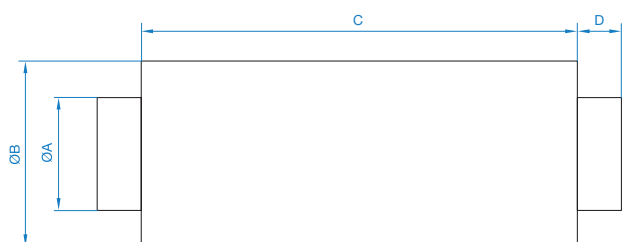
Dynamic Insertion Loss

Product Code	Length	Insertion Loss @ Octave band (Hz)							
		63	125	250	500	1K	2K	4K	8K
068-0125-JF1	300mm	-3	-3	-8	-16	-21	-24	-22	-12
068-0125-JF2	600mm	-4	-8	-13	-30	-35	-35	-31	-15
068-0125-JF3	900mm	-9	-12	-18	-37	-41	-38	-34	-20
068-0125-JF4	1200mm	-11	-15	-21	-40	-46	-41	-36	-23
068-0150-JF1	300mm	-3	-3	-6	-14	-19	-23	-22	-11
068-0150-JF2	600mm	-4	-7	-12	-23	-30	-36	-31	-15
068-0150-JF3	900mm	-8	-9	-15	-31	-37	-37	-34	-18
068-0150-JF4	1200mm	-10	-14	-17	-34	-41	-40	-36	-20
068-0200-JF1	300mm	-2	-3	-6	-13	-17	-20	-18	-9
068-0200-JF2	600mm	-4	-6	-10	-20	-27	-32	-20	-11
068-0200-JF3	900mm	-7	-9	-14	-32	-39	-36	-26	-15
068-0200-JF4	1200mm	-10	-12	-17	-35	-41	-44	-28	-16
068-0250-JF1	300mm	-2	-3	-6	-12	-16	-19	-17	-8
068-0250-JF2	600mm	-3	-6	-10	-19	-25	-29	-18	-10
068-0250-JF3	900mm	-5	-8	-12	-24	-30	-30	-22	-14
068-0250-JF4	1200mm	-7	-10	-15	-31	-37	-38	-26	-15
068-0315-JF1	300mm	-1	-3	-6	-12	-15	-18	-16	-8
068-0315-JF2	600mm	-3	-5	-8	-16	-21	-22	-16	-14
068-0315-JF3	900mm	-4	-7	-10	-20	-31	-28	-17	-14
068-0315-JF4	1200mm	-6	-9	-14	-23	-32	-32	-18	-15
068-0400-JF1	300mm	-1	-2	-4	-11	-15	-15	-12	-8
068-0400-JF2	600mm	-2	-4	-7	-14	-17	-18	-14	-11
068-0400-JF3	900mm	-3	-6	-9	-18	-26	-23	-15	-12
068-0400-JF4	1200mm	-5	-8	-13	-22	-30	-27	-17	-12
068-0500-JF1	300mm	-1	-1	-3	-10	-14	-14	-11	-7
068-0500-JF2	600mm	-2	-4	-6	-14	-16	-16	-13	-11
068-0500-JF3	900mm	-3	-6	-8	-17	-24	-21	-15	-11
068-0500-JF4	1200mm	-4	-8	-12	-19	-28	-23	-16	-12

SPIGOT SILENCER

Dimensional Data

Product Code	Fan Dia.	A	B	C	D	Weight kg
068-0125-JF1	125	123	230	300	40	2.9
068-0125-JF2	125	123	230	600	40	5.4
068-0125-JF3	125	123	230	900	40	7.8
068-0125-JF4	125	123	230	900	40	10.2
068-0150-JF1	150	148	255	300	40	3.4
068-0150-JF2	150	148	255	600	40	6.1
068-0150-JF3	150	148	255	900	40	8.9
068-0150-JF4	150	148	255	1200	40	11.6
068-0200-JF1	200	198	305	300	40	4.2
068-0200-JF2	200	198	305	600	40	7.6
068-0200-JF3	200	198	305	900	40	11.0
068-0200-JF4	200	198	305	1200	40	14.5
068-0250-JF1	250	248	355	300	40	5.0
068-0250-JF2	250	248	355	600	40	9.1
068-0250-JF3	250	248	355	900	40	13.2
068-0250-JF4	250	248	355	1200	40	17.3
068-0315-JF1	315	313	420	300	40	6.1
068-0315-JF2	315	313	420	600	40	11.1
068-0315-JF3	315	313	420	900	40	16.1
068-0315-JF4	315	313	420	1200	40	21.0
068-0400-JF1	400	398	505	300	40	7.5
068-0400-JF2	400	398	505	600	40	13.6
068-0400-JF3	400	398	505	900	40	19.8
068-0400-JF4	400	398	505	1200	40	25.9



For 500 model, please contact Elta Fans.
Dimensions are in mm.

Building Services

Tel **+44 (0) 1384 275800**
Fax **+44 (0) 1384 275810**
Email **info@eltafans.co.uk**

46 Third Avenue, Pensnett Trading Estate, Kingswinford,
West Midlands, DY6 7US United Kingdom

Applied Technology & Building Services Export

Tel **+44 (0) 1489 566500**
Fax **+44 (0) 1489 566555**
Email **at@eltafans.co.uk / export@eltafans.co.uk**

17 Barnes Wallis Road, Segensworth East Industrial Estate,
Fareham, Hampshire, PO15 5ST United Kingdom

eltafans.com

SQT-10-2021 Issue C



BS EN ISO 9001:2015 FM 556465

