



SINGLEFLOW SSDR

Roof Mounted Direct
Drive Centrifugal Fan

SINGLEFLOW SSSR

Product Overview

- 5 standard sizes from 200mm to 500mm (7 models)
- Air volume flow rates up to 1.717 m³/s
- Static pressures up to 1023 Pa
- Suitable for operating temperatures up to +60°C
- Available in **EC**

Singleflow SSSR fans are suitable for external mounting, manufactured in Aluzinc with a natural finish. The range incorporates advanced backward curved impellers, with three dimensional profiled blades.

Easy Installation

All models are designed for direct connection to standard diameter flexible or rigid circular ducting with long spigots. Spigot is on the underside of the unit so can be fitted directly to the main duct.

Easy Commissioning

Integrated commissioning control allows single speed selection and also limits maximum speed if used with an external potentiometer.

Space Saving

External roof mounting outside of the building is ideal where space is a premium. Bird guard fitted as standard to stop damage by wildlife.

Efficient Performance

High efficiency low tonal noise backward curved centrifugal impellers are directly driven by an EC external rotor motor, provide low specific fan powers and stepless speed control without tonal noise generation.

Weather Resistance

Integral louvered air discharge provides protection against ingress from the elements and is self draining. No additional outlet duct fittings are required.

Controllability

EC motors provide precise speed control via potentiometer, BMS or Elta Fans DCV control. Reduced fan speeds can provide

significant cost-savings through lower energy consumption in both mechanical energy of motors and also on the conditioning of replacement air.

Warranty

Each SSSR has a 12 month warranty.

Construction

Featuring a robust 1.2mm natural finish aluzinc casing. Each casing provides a spigot to suit standard circular ducting on inlet and louvered air discharge. A removable lid is provided as standard to allow easy maintenance and cleaning.

Motor

EC external rotor motor fitted as standard. The motor contains sealed for life bearings with a Thermal Class to THCL 130 or 155 dependent on size. All motors are suitable for use in ambient air conditions up to +60°C.

Impeller

High efficiency low tonal noise backward curved centrifugal impeller, dynamically balanced to ISO 14694 Grade G6.3 and directly driven by the motor to provide a smooth airflow through the unit.

Typical Applications

- Industrial Building
- Banks
- Hospitals
- Offices
- Hotels and Shopping Malls



Contents

Page	Information
3	Performance Range Curves
4	Performance, SFP & Electrical Data
7	Sound Data
10	Dimensional Data
11	EcoDesign 1253/2014
12	Accessories
19	Notes

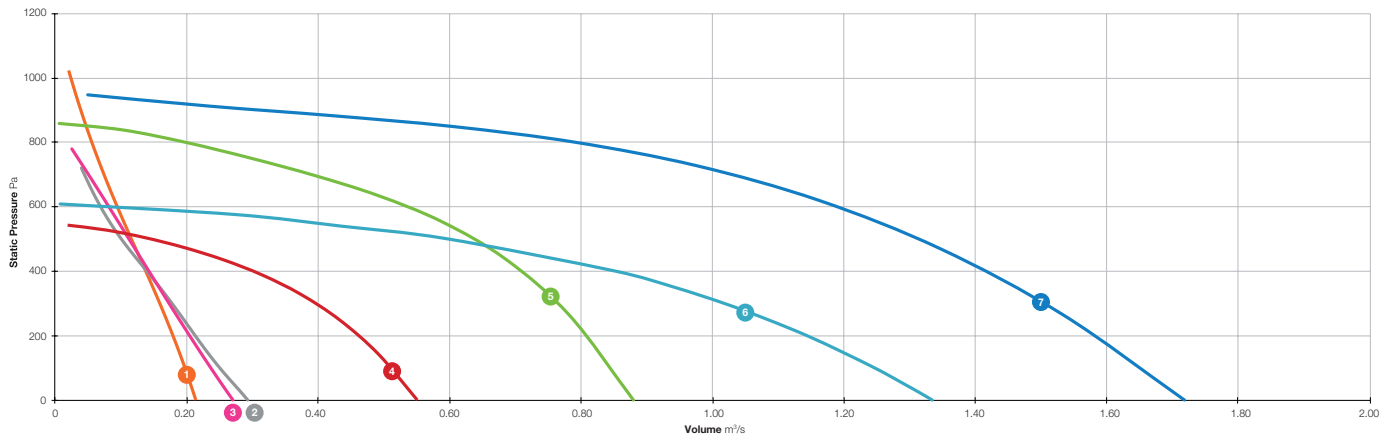
Product Coding

Code	Reference
SSDR	Product Range
200	Diameter (200/250/315...)
-	
1	Voltage Supply (Single Phase / Three Phase)
AC	Motor Type (AC/EC)
A - Z	Additional Coding (A - Z) Product Variants
e.g.	SSDR200 / 1AC

SINGLEFLOW SSSDR



Performance Range Curves



- 1 SSSDR200 / 1EC
- 2 SSSDR250H / 1EC
- 3 SSSDR250L / 1EC

- 4 SSSDR315 / 1EC
- 5 SSSDR400 / 1EC
- 6 SSSDR500 / 1EC

- 7 SSSDR500 / 3EC

SINGLEFLOW SSDR



Performance, SFP & Electrical Data

Single Phase 220V to 277V / 50Hz or 60Hz

Product Code	Control Voltage V	Speed r/min	Airflow	Airflow m³/s @ Static Pressure Pa												At Best Efficiency Point		Electrical Data		dBA @ 3m	
				0	25	50	75	100	150	200	250	300	350	400	500	Overall Eff %	Input kW	Peak Amps			
SSDR200-1EC	10	3990	m³/s	0.214	0.210	0.206	0.201	0.197	0.188	0.179	0.169	0.159	0.148	0.138	0.116	39.7	0.168	1.27	Inlet	55	
			W/(L/s)	0.78	0.79	0.81	0.82	0.84	0.88	0.93	0.98	1.05	1.12	1.21	1.44				Outlet	50	
	8	3845	m³/s	0.204	0.200	0.196	0.192	0.187	0.179	0.170	0.161	0.151	0.140	0.129	0.104	40.6	0.148	1.14	Inlet	52	
			W/(L/s)	0.70	0.73	0.75	0.77	0.79	0.84	0.89	0.95	1.02	1.09	1.17	1.41				Outlet	48	
	5	2285	m³/s	0.120	0.114	0.107	0.100	0.092	0.073	0.049	-	-	-	-	-	38.8	0.034	0.25	Inlet	42	
			W/(L/s)	0.28	0.30	0.32	0.35	0.38	0.47	0.65	-	-	-	-	-				Outlet	40	
2	735	m³/s	0.037	-	-	-	-	-	-	-	-	-	-	-	11.9	0.003	0.03	Inlet	25		
		W/(L/s)	0.09	-	-	-	-	-	-	-	-	-	-	-				Outlet	17		
SSDR250H-1EC	10	2550	m³/s	0.293	0.282	0.271	0.260	0.250	0.231	0.213	0.195	0.177	0.159	0.139	0.100	37.9	0.169	1.47	Inlet	53	
			W/(L/s)	0.57	0.59	0.62	0.64	0.67	0.73	0.79	0.86	0.95	1.06	1.21	1.68				Outlet	49	
	8	2565	m³/s	0.295	0.282	0.271	0.260	0.250	0.232	0.214	0.197	0.179	0.161	0.140	0.088	38.1	0.170	1.42	Inlet	51	
			W/(L/s)	0.58	0.60	0.62	0.64	0.67	0.73	0.79	0.87	0.95	1.06	1.20	1.75				Outlet	45	
	5	1545	m³/s	0.180	0.166	0.151	0.135	0.118	0.078	-	-	-	-	-	-	37.4	0.039	0.39	Inlet	38	
			W/(L/s)	0.24	0.26	0.29	0.32	0.35	0.48	-	-	-	-	-	-				Outlet	34	
2	495	m³/s	0.055	-	-	-	-	-	-	-	-	-	-	-	13.3	0.004	0.05	Inlet	-		
		W/(L/s)	0.07	-	-	-	-	-	-	-	-	-	-	-				Outlet	-		
SSDR250L-1EC	10	3300	m³/s	0.271	0.262	0.254	0.246	0.237	0.221	0.205	0.190	0.174	0.159	0.144	0.113	38.7	0.171	1.43	Inlet	57	
			W/(L/s)	0.62	0.65	0.67	0.69	0.72	0.77	0.83	0.89	0.97	1.07	1.19	1.51				Outlet	54	
	8	2965	m³/s	0.241	0.233	0.225	0.217	0.209	0.194	0.177	0.160	0.141	0.121	0.097	-	38.8	0.125	1.16	Inlet	52	
			W/(L/s)	0.50	0.53	0.56	0.59	0.62	0.68	0.74	0.82	0.92	1.04	1.22	-				Outlet	49	
	5	1750	m³/s	0.142	0.127	0.113	0.099	0.085	0.049	-	-	-	-	-	-	35.2	0.029	0.27	Inlet	42	
			W/(L/s)	0.20	0.23	0.27	0.30	0.35	0.56	-	-	-	-	-	-				Outlet	39	
2	565	m³/s	0.043	-	-	-	-	-	-	-	-	-	-	-	10.1	0.004	0.05	Inlet	-		
		W/(L/s)	0.09	-	-	-	-	-	-	-	-	-	-	-				Outlet	-		
SSDR315-1EC	10	2014	m³/s	0.550	0.541	0.532	0.522	0.511	0.488	0.462	0.432	0.397	0.354	0.302	0.147	38.3	0.403	1.88	Inlet	53	
			W/(L/s)	0.72	0.73	0.75	0.77	0.78	0.82	0.86	0.91	0.98	1.06	1.17	1.78				Outlet	53	
	8	1607	m³/s	0.425	0.409	0.393	0.375	0.357	0.317	0.269	0.211	0.134	-	-	-	33.6	0.218	1.05	Inlet	47	
			W/(L/s)	0.50	0.52	0.54	0.56	0.59	0.65	0.73	0.85	1.13	-	-	-				Outlet	47	
	5	968	m³/s	0.249	0.223	0.193	0.155	0.105	-	-	-	-	-	-	-	26.1	0.058	0.30	Inlet	35	
			W/(L/s)	0.23	0.25	0.29	0.35	0.47	-	-	-	-	-	-	-				Outlet	34	
2	328	m³/s	0.081	-	-	-	-	-	-	-	-	-	-	-	4.1	0.014	0.10	Inlet	20		
		W/(L/s)	0.17	-	-	-	-	-	-	-	-	-	-	-				Outlet	18		
SSDR400-1EC	10	2199	m³/s	0.880	0.872	0.864	0.856	0.847	0.829	0.810	0.788	0.765	0.739	0.710	0.638	42.9	0.908	4.20	Inlet	59	
			W/(L/s)	1.02	1.03	1.04	1.06	1.07	1.09	1.12	1.15	1.19	1.22	1.27	1.37				Outlet	59	
	8	1763	m³/s	0.691	0.673	0.656	0.637	0.619	0.579	0.538	0.493	0.440	0.391	0.330	0.168	36.1	0.486	2.32	Inlet	53	
			W/(L/s)	0.70	0.72	0.73	0.75	0.77	0.82	0.87	0.93	1.01	1.10	1.23	1.91				Outlet	53	
	5	1059	m³/s	0.413	0.384	0.353	0.318	0.278	0.180	-	-	-	-	-	-	28.8	0.131	0.61	Inlet	40	
			W/(L/s)	0.32	0.34	0.36	0.40	0.44	0.61	-	-	-	-	-	-				Outlet	41	
2	354	m³/s	0.136	-	-	-	-	-	-	-	-	-	-	-	2.8	0.047	0.20	Inlet	21		
		W/(L/s)	0.34	-	-	-	-	-	-	-	-	-	-	-				Outlet	24		

Data provided is at standard air density of 1.2 kg/m³.

Data in accordance with ErP 1253/2014 of the European Parliament. Product category is NRVU. Measurement category used to determine energy efficiency: C.

A variable speed drive is integrated within the fan.

Peak Amps @ 230V / 1PH / 50Hz.

The overall A-weighted sound pressure level is at a distance of 3m with spherical free-field propagation. It is expressed in dB re-20µPa and is presented for comparative purposes only.

SINGLEFLOW SSDR



Performance, SFP & Electrical Data

Single Phase 220V to 277V / 50Hz or 60Hz

Product Code	Control Voltage V	Speed r/min	Airflow	Airflow m³/s @ Static Pressure Pa												At Best Efficiency Point		Electrical Data	dBA @ 3m	
				0	25	50	75	100	150	200	250	300	350	400	500	Overall Eff %	Input kW	Peak Amps		
SSDR500-1EC	10	1413	m³/s	1.334	1.313	1.291	1.269	1.246	1.196	1.143	1.083	1.017	0.941	0.851	0.595	51.2	0.787	3.40	Inlet	51
			W/(L/s)	0.53	0.55	0.56	0.57	0.59	0.62	0.66	0.70	0.74	0.80	0.87	1.12				Outlet	55
	8	1200	m³/s	1.054	1.022	0.989	0.955	0.919	0.841	0.755	0.656	0.539	0.391	0.169	-	42.7	0.474	2.24	Inlet	47
			W/(L/s)	0.42	0.43	0.45	0.47	0.50	0.55	0.60	0.68	0.78	0.96	1.56	-				Outlet	47
	5	725	m³/s	0.648	0.596	0.535	0.463	0.372	0.055	-	-	-	-	-	-	37.5	0.124	0.59	Inlet	34
			W/(L/s)	0.18	0.20	0.23	0.26	0.31	1.24	-	-	-	-	-	-				Outlet	38
	2	245	m³/s	0.231	0.036	-	-	-	-	-	-	-	-	-	-	3.6	0.051	0.23	Inlet	16
			W/(L/s)	0.19	1.29	-	-	-	-	-	-	-	-	-	-				Outlet	20

Data provided is at standard air density of 1.2 kg/m³.

Data in accordance with ErP 1253/2014 of the European Parliament. Product category is NRVU. Measurement category used to determine energy efficiency: C.

A variable speed drive is integrated within the fan.

Peak Amps @ 230V / 1PH / 50Hz.

The overall A-weighted sound pressure level is at a distance of 3m with spherical free-field propagation. It is expressed in dB re-20µPa and is presented for comparative purposes only.

SINGLEFLOW SSDR



Performance, SFP & Electrical Data

Three Phase 380V to 415V / 50Hz or 60Hz

Product Code	Control Voltage V	Speed r/min	Airflow	Airflow m ³ /s @ Static Pressure Pa												At Best Efficiency Point		Electrical Data	dBA @ 3m	
				0	50	100	150	200	250	300	400	500	600	700	800	Overall Eff %	Input kW	Peak Amps		
SSDR500-3EC	10	1799	m ³ /s	1.717	1.701	1.685	1.669	1.652	1.618	1.582	1.544	1.504	1.461	1.416	1.314	54.1	1.492	2.27	Inlet	57
			W/(L/s)	0.80	0.82	0.83	0.84	0.86	0.88	0.91	0.94	0.98	1.01	1.05	1.14				Outlet	61
	8	1455	m ³ /s	1.320	1.296	1.271	1.246	1.219	1.163	1.101	1.034	0.960	0.876	0.779	0.528	46.6	0.803	1.34	Inlet	51
			W/(L/s)	0.59	0.60	0.62	0.63	0.65	0.68	0.72	0.76	0.81	0.88	0.95	1.23				Outlet	55
	5	874	m ³ /s	0.766	0.729	0.689	0.643	0.590	0.445	0.190	-	-	-	-	-	41.7	0.200	0.49	Inlet	40
			W/(L/s)	0.24	0.25	0.27	0.30	0.33	0.41	0.71	-	-	-	-	-				Outlet	42
	2	292	m ³ /s	0.258	-	-	-	-	-	-	-	-	-	-	-	12.1	0.024	0.17	Inlet	16
			W/(L/s)	0.09	-	-	-	-	-	-	-	-	-	-	-				Outlet	23

Data provided is at standard air density of 1.2 kg/m³.

Data in accordance with ErP 1253/2014 of the European Parliament. Product category is NRVU. Measurement category used to determine energy efficiency: C.

A variable speed drive is integrated within the fan.

Peak Amps @ 400V / 3PH / 50Hz.

The overall A-weighted sound pressure level is at a distance of 3m with spherical free-field propagation. It is expressed in dB re-20μPa and is presented for comparative purposes only.

SINGLEFLOW SSDR



Sound Data

Single Phase 220V to 277V / 50Hz or 60Hz

Product Code	Control Voltage V		Sound Power Level dBW @ Octave Band Hz								Total dB
			63Hz	125Hz	250Hz	500Hz	1kHz	2kHz	4kHz	8kHz	
SSDR200-1EC	10	Inlet	85	82	80	72	65	63	58	58	88
		Outlet	62	66	68	67	64	64	62	62	74
	8	Inlet	84	80	78	69	63	61	56	56	86
		Outlet	61	65	67	64	62	62	60	59	72
	5	Inlet	74	71	67	59	51	51	48	40	76
		Outlet	49	55	60	57	50	53	54	44	64
2	Inlet	63	54	50	40	33	30	15	22	64	
	Outlet	37	37	39	34	33	30	15	22	44	
SSDR250H-1EC	10	Inlet	87	81	80	69	64	57	56	57	89
		Outlet	63	70	71	66	64	62	59	56	75
	8	Inlet	83	78	78	65	60	54	54	50	85
		Outlet	61	66	67	62	60	58	56	51	71
	5	Inlet	74	70	62	53	48	43	45	37	76
		Outlet	51	59	52	51	48	46	48	43	61
2	Inlet	-	-	-	-	-	-	-	-	-	
	Outlet	-	-	-	-	-	-	-	-	-	
SSDR250L-1EC	10	Inlet	86	82	84	74	68	64	61	62	89
		Outlet	69	71	74	72	67	67	63	61	79
	8	Inlet	84	80	78	68	64	61	58	58	86
		Outlet	60	68	68	65	65	63	59	58	74
	5	Inlet	75	72	67	58	53	50	49	45	77
		Outlet	52	59	60	57	53	51	49	45	65
2	Inlet	-	-	-	-	-	-	-	-	-	
	Outlet	-	-	-	-	-	-	-	-	-	
SSDR315-1EC	10	Inlet	84	79	78	69	61	67	61	55	86
		Outlet	72	75	74	69	68	66	63	59	80
	8	Inlet	80	75	69	62	54	62	55	48	82
		Outlet	68	72	67	63	62	60	56	51	75
	5	Inlet	70	65	58	49	41	48	38	26	71
		Outlet	58	58	54	49	50	47	39	29	62
2	Inlet	51	36	33	23	24	38	33	30	52	
	Outlet	38	39	30	23	32	31	30	33	43	
SSDR400-1EC	10	Inlet	91	86	84	75	70	67	65	61	93
		Outlet	79	81	79	75	74	73	68	65	86
	8	Inlet	87	83	78	69	65	63	58	55	89
		Outlet	74	76	73	69	69	67	62	58	80
	5	Inlet	76	72	62	55	51	49	45	36	78
		Outlet	63	66	60	56	58	52	46	38	69
2	Inlet	63	41	39	40	34	25	18	24	63	
	Outlet	48	37	43	43	42	24	18	22	51	

Data provided at standard air density of 1.2 Kg/m³.
 Tests and preparation of the sound data have been carried out in accordance with BS 848 Part 2:1985 at 50% peak pressure.
 The Sound Power Level Spectra are in dB re-1pW.

SINGLEFLOW SSSDR



Sound Data

Single Phase 220V to 277V / 50Hz or 60Hz

Product Code	Control Voltage V		Sound Power Level dBW @ Octave Band Hz								Total dB
			63Hz	125Hz	250Hz	500Hz	1kHz	2kHz	4kHz	8kHz	
SSDR500-1EC	10	Inlet	80	80	74	69	61	61	57	55	84
		Outlet	73	79	76	73	70	66	62	59	82
	8	Inlet	80	75	69	62	54	62	55	48	82
		Outlet	68	72	67	63	62	60	56	51	75
	5	Inlet	71	63	57	53	44	42	38	30	72
		Outlet	62	63	59	55	54	49	39	34	67
	2	Inlet	48	50	33	33	23	23	10	11	52
		Outlet	44	51	38	39	36	26	15	21	52

Data provided at standard air density of 1.2 Kg/m³.
Tests and preparation of the sound data have been carried out in accordance with BS 848 Part 2:1985 at 50% peak pressure.
The Sound Power Level Spectra are in dB re-1pW.

SINGLEFLOW SSSDR



Sound Data

Three Phase 380V to 480V / 50Hz or 60Hz

Product Code	Control Voltage V		Sound Power Level dBW @ Octave Band Hz								Total dB
			63Hz	125Hz	250Hz	500Hz	1kHz	2kHz	4kHz	8kHz	
SSDR500-3EC	10	Inlet	85	83	80	76	68	68	64	61	88
		Outlet	77	81	81	78	77	72	68	65	86
	8	Inlet	80	81	74	70	61	61	57	57	84
		Outlet	73	78	76	73	71	66	62	59	82
	5	Inlet	73	67	62	56	47	56	46	37	74
		Outlet	66	66	63	59	57	55	46	39	71
	2	Inlet	50	44	37	35	28	30	14	17	51
		Outlet	41	46	42	39	41	32	19	16	50

Data provided at standard air density of 1.2 Kg/m³.
 Tests and preparation of the sound data have been carried out in accordance with BS 848 Part 2:1985 at 50% peak pressure.
 The Sound Power Level Spectra are in dB re-1pW.

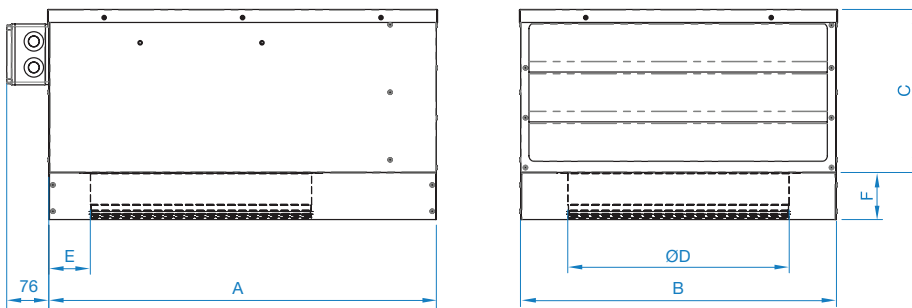
SINGLEFLOW SSSDR



Dimensional Data

Single & Three Phase

Product Code	A	B	C	D	E	F	Weight kg
SSDR200-1EC	509	350	205	200	75	85	14
SSDR250H-1EC	584	396	205	250	75	85	17
SSDR250L-1EC	584	396	205	250	75	85	17
SSDR315-1EC	635	485	295	315	85	85	26
SSDR400-1EC	700	570	295	400	75	85	36
SSDR500-1EC	880	750	385	500	91	85	54
SSDR500-3EC	880	750	385	500	91	85	54



Dimensions are in mm.

SINGLEFLOW SSSDR



EcoDesign 1253/2014 - Information Requirements

REV2 01/05/2018

A	B	C*			D	E	F	G	H	I	J	K	L	N	O	P	Q	R	S
		C.1	C.2	C.3															
Elta Fans Ltd	SSDR200-1EC	NRVU	UVU	2018	Variable-Speed	None	n/a	0.11	0.168	n/a	3.5	516	n/a	39.7	n/a	n/a	n/a	55	www.eltafans.com
Elta Fans Ltd	SSDR250H-1EC	NRVU	UVU	2018	Variable-Speed	None	n/a	0.15	0.169	n/a	3.06	376	n/a	37.9	n/a	n/a	n/a	57	www.eltafans.com
Elta Fans Ltd	SSDR250L-1EC	NRVU	UVU	2018	Variable-Speed	None	n/a	0.13	0.171	n/a	2.65	432	n/a	38.7	n/a	n/a	n/a	53	www.eltafans.com
Elta Fans Ltd	SSDR315-1EC	NRVU	UVU	2018	Variable-Speed	None	n/a	0.294	0.35	n/a	3.78	407	n/a	38.3	n/a	n/a	n/a	53	www.eltafans.com
Elta Fans Ltd	SSDR400-1EC	NRVU	UVU	2018	Variable-Speed	None	n/a	0.498	0.801	n/a	3.96	630	n/a	42.9	n/a	n/a	n/a	59	www.eltafans.com
Elta Fans Ltd	SSDR500-1EC	NRVU	UVU	2018	Variable-Speed	None	n/a	0.767	0.722	n/a	3.9	440	n/a	51.2	n/a	n/a	n/a	51	www.eltafans.com
Elta Fans Ltd	SSDR500-3EC	NRVU	UVU	2018	Variable-Speed	None	n/a	1.003	1.43	n/a	5.11	716	n/a	54.1	n/a	n/a	n/a	57	www.eltafans.com

- A** Manufacturer's Name
- B** Model Identifier
- C.1** RVU or NRVU
- C.2** UVU or BVU
- C.3** ErP Compliance
- D** Type of Drive (MSD or VSD)
- E** Type of HRS (Run Around or Other or None)
- F** Thermal Efficiency (% or N/A)
- G** Nominal Flow Rate (m³/s)
- H** Effective Electrical Power Input (kW)
- I** SFP Int (W/m³/s)
- J** Face Velocity (m/s)
- K** Nominal External Pressure (Pa)
- L** Internal Pressure Drop of Ventilation Components (Pa)
- N** Static Efficiency of Fan Used 327/2011
- O** Maximum External Leakage Rate (%)
- P** Energy Classification of Filters
- Q** Description of Visual Filter warning
- R** Casing Sound Power Level (LWA)
- S** Website for Disassembly Instructions

* Declared Typology C

SINGLEFLOW SSDR



Accessories

Single Phase

Product Code	Box Fan Flexible Connector (each)	EC Electronic Controller	Fast Clamps (each)	Spigot Silencer 300mm Long	Spigot Silencer 600mm Long	Spigot Silencer 900mm Long	Spigot Silencer 1200mm Long	Wiring Diagrams
SSDR200-1EC	018-0200-FLEX	149-POT-10-MI	018-200-CLAMP	068-0200-JF1	068-0200-JF2	068-0200-JF3	068-0200-JF4	152-00036
SSDR250H-1EC	018-0250-FLEX	149-POT-10-MI	018-250-CLAMP	068-0250-JF1	068-0250-JF2	068-0250-JF3	068-0250-JF4	152-00036
SSDR250L-1EC	018-0250-FLEX	149-POT-10-MI	018-250-CLAMP	068-0250-JF1	068-0250-JF2	068-0250-JF3	068-0250-JF4	152-00036
SSDR315-1EC	018-0315-FLEX	149-POT-10-MI	018-315-CLAMP	068-0315-JF1	068-0315-JF2	068-0315-JF3	068-0315-JF4	152-00298951
SSDR400-1EC	018-0400-FLEX	149-POT-10-MI	018-400-CLAMP	068-0400-JF1	068-0400-JF2	068-0400-JF3	068-0400-JF4	152-MOEA03K1
SSDR500-1EC	018-0500-FLEX	149-POT-10-MI	018-500-CLAMP	068-0500-JF1	068-0500-JF2	068-0500-JF3	068-0500-JF4	152-MOEA03K1

Three Phase

Product Code	Box Fan Flexible Connector (each)	EC Electronic Controller	Fast Clamps (each)	Spigot Silencer 300mm Long	Spigot Silencer 600mm Long	Spigot Silencer 900mm Long	Spigot Silencer 1200mm Long	Wiring Diagrams
SSDR500-3EC	018-0500-FLEX	149-POT-10-MI	018-500-CLAMP	068-0500-JF1	068-0500-JF2	068-0500-JF3	068-0500-JF4	152-MOEA03K3

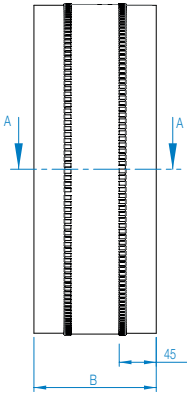
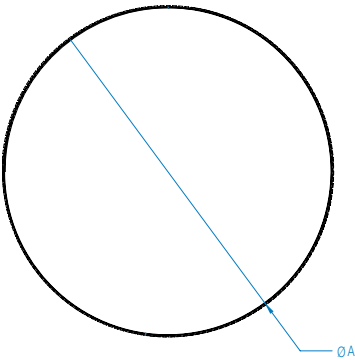
BOX FAN FLEXIBLE CONNECTOR



Accessories

- Fix directly on to spigot
- Provides flexible connection between fan and accessory or duct
- PVC coated polyester with galvanised sheet steel

Product Code	Fan Dia. A	B	Weight kg
018-0200-FLEX	200	150	0.3
018-0250-FLEX	250	150	0.4
018-0315-FLEX	315	150	0.5
018-0400-FLEX	400	150	0.7
018-0500-FLEX	500	150	1.0



Dimensions are in mm.

EC ELECTRONIC CONTROLLER

Accessories

- EC Type fans
- Variable Speed Drives (Inverters)



Product
Code

149-POT-10-MI*

*-MI: Minimum speed adjustable by internal preset

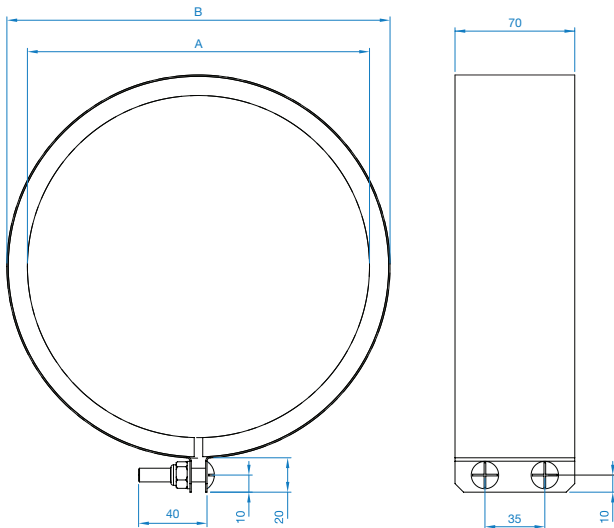
FAST CLAMPS

Accessories

- For quick connection of spigotted fans to circular duct or accessories
- Galvanised steel circular duct clamp with foam lining



Product Code	Fan Size	A Dia.	B Dia.	Weight kg
018-200-CLAMP	200	200	224	0.42
018-250-CLAMP	250	250	274	0.49
018-315-CLAMP	315	315	339	0.59
018-400-CLAMP	400	400	424	0.74
018-500-CLAMP	500	500	524	0.87



Dimensions are in mm.

SPIGOT SILENCER

Accessories



- Small metric range of attenuators with spigot connection
- Ideal for small fans
- Ideal for cross talk elimination
- Ideal for flexible or spiral ducting

Construction

Both types are rigidly constructed in galvanised sheet steel, with a highly absorbent sound attenuating lining between the outer casing and the inner perforated steel lining. The end faces of the silencer do not have threaded holes for fixings, but has a steel spigot for ease of mounting.

Melinex lined silencers must be used to prevent grease impregnation into the acoustic media for kitchen extract applications as prescribed in DW/172 HVAC Specification For Kitchen Ventilation Systems. For Melinex insertion losses, please contact Elta Fans. Silencers can be provided with differing lengths: 300, 600, 900 and 1200mm.

Silencer Attenuation

To determine the sound level of a fan fitted with a silencer, the dynamic insertion loss should be subtracted from the sound power level spectrum (dBW) of the fan. This should be done for the entire octave band mid-frequency spectrum. The fan dBW ratings and silencer attenuation apply equally to in duct applications, with a silencer connected between the fan and the duct system.

Dynamic Insertion Loss

The silencer attenuation is defined as the “dynamic insertion loss”. The values quoted in the tables represent the difference between the sound power level of a fan and silencer combination (dBW) and that of the fan alone (dBW). The dynamic insertion losses shown are the attenuations recorded under ideal working conditions. The achieved attenuation will vary according to the air velocity and flow pattern in the airways. Noise regeneration can occur at higher velocities, especially in EP silencers.

Square / Rectangular Silencers

In highly noise sensitive areas, where the circular silencers cannot achieve the necessary attenuation levels, Elta Fans can design and build optional splitter silencers for greater effect.

SPIGOT SILENCER

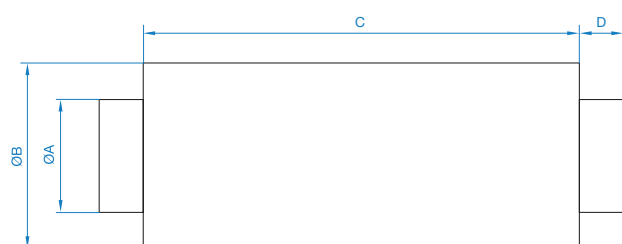
Dynamic Insertion Loss

Product Code	Length	Insertion Loss @ Octave band (Hz)							
		63	125	250	500	1K	2K	4K	8K
068-0200-JF1	300mm	-2	-3	-6	-13	-17	-20	-18	-9
068-0200-JF2	600mm	-4	-6	-10	-20	-27	-32	-20	-11
068-0200-JF3	900mm	-7	-9	-14	-32	-39	-36	-26	-15
068-0200-JF4	1200mm	-10	-12	-17	-35	-41	-44	-28	-16
068-0250-JF1	300mm	-2	-3	-6	-12	-16	-19	-17	-8
068-0250-JF2	600mm	-3	-6	-10	-19	-25	-29	-18	-10
068-0250-JF3	900mm	-5	-8	-12	-24	-30	-30	-22	-14
068-0250-JF4	1200mm	-7	-10	-15	-31	-37	-38	-26	-15
068-0315-JF1	300mm	-1	-3	-6	-12	-15	-18	-16	-8
068-0315-JF2	600mm	-3	-5	-8	-16	-21	-22	-16	-14
068-0315-JF3	900mm	-4	-7	-10	-20	-31	-28	-17	-14
068-0315-JF4	1200mm	-6	-9	-14	-23	-32	-32	-18	-15
068-0400-JF1	300mm	-1	-2	-4	-11	-15	-15	-12	-8
068-0400-JF2	600mm	-2	-4	-7	-14	-17	-18	-14	-11
068-0400-JF3	900mm	-3	-6	-9	-18	-26	-23	-15	-12
068-0400-JF4	1200mm	-5	-8	-13	-22	-30	-27	-17	-12
068-0500-JF1	300mm	-1	-1	-3	-10	-14	-14	-11	-7
068-0500-JF2	600mm	-2	-4	-6	-14	-16	-16	-13	-11
068-0500-JF3	900mm	-3	-6	-8	-17	-24	-21	-15	-11
068-0500-JF4	1200mm	-4	-8	-12	-19	-28	-23	-16	-12

SPIGOT SILENCER

Dimensional Data

Product Code	Fan Dia.	A	B	C	D	Weight kg
068-0200-JF1	200	198	305	300	40	4.2
068-0200-JF2	200	198	305	600	40	7.6
068-0200-JF3	200	198	305	900	40	11.0
068-0200-JF4	200	198	305	1200	40	14.5
068-0250-JF1	250	248	355	300	40	5.0
068-0250-JF2	250	248	355	600	40	9.1
068-0250-JF3	250	248	355	900	40	13.2
068-0250-JF4	250	248	355	1200	40	17.3
068-0315-JF1	315	313	420	300	40	6.1
068-0315-JF2	315	313	420	600	40	11.1
068-0315-JF3	315	313	420	900	40	16.1
068-0315-JF4	315	313	420	1200	40	21.0
068-0400-JF1	400	398	505	300	40	7.5
068-0400-JF2	400	398	505	600	40	13.6
068-0400-JF3	400	398	505	900	40	19.8
068-0400-JF4	400	398	505	1200	40	25.9



For 500 model, please contact Elta Fans.
Dimensions are in mm.

Building Services

Tel **+44 (0) 1384 275800**
Fax **+44 (0) 1384 275810**
Email **info@eltafans.co.uk**

46 Third Avenue, Pensnett Trading Estate, Kingswinford,
West Midlands, DY6 7US United Kingdom

Applied Technology & Building Services Export

Tel **+44 (0) 1489 566500**
Fax **+44 (0) 1489 566555**
Email **at@eltafans.co.uk / export@eltafans.co.uk**

17 Barnes Wallis Road, Segensworth East Industrial Estate,
Fareham, Hampshire, PO15 5ST United Kingdom

eltafans.com

SSDR-09-2021 Issue B



BS EN ISO 9001:2015 FM 556465

