



WEATHERPROOF COVER

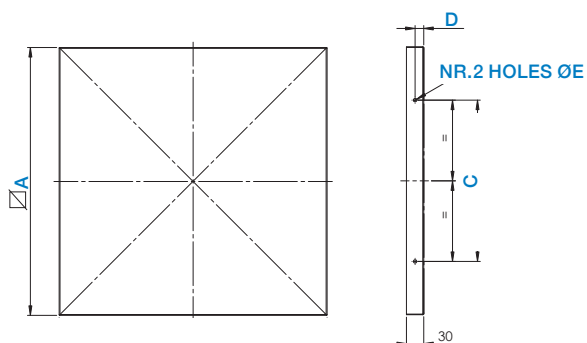
WEATHERPROOF COVER

Overview



- Made from galvanised steel
- To be used in case of external mounting

Product Code	A	B	C	D	ØE
TP-QUBIK15/21	465	30	280	15	6
TP-QUBIK32/40	590	30	380	15	6
TP-QUBIK60/75	745	30	480	15	6



Dimensions are in mm.

Building Services

Tel **+44 (0) 1384 275800**
Fax **+44 (0) 1384 275810**
Email **info@eltafans.co.uk**

46 Third Avenue, Pensnett Trading Estate, Kingswinford,
West Midlands, DY6 7US United Kingdom

Applied Technology & Building Services Export

Tel **+44 (0) 1489 566500**
Fax **+44 (0) 1489 566555**
Email **at@eltafans.co.uk / export@eltafans.co.uk**

17 Barnes Wallis Road, Segensworth East Industrial Estate,
Fareham, Hampshire, PO15 5ST United Kingdom

eltafans.com

TP-QUBIK-10-2018 Issue A



BS EN ISO 9001:2015 FM 556465

