



SKYFLOW SSRL

Installation & Maintenance

SKYFLOW SSRL

Installation Instructions

1.0 General

- 1.1 It is important these Installation and Maintenance Instructions are fully adhered to.
- 1.2 Full details of the unit supplied are shown on the product nameplate. If in doubt about any detail contact Elta Fans Ltd or its agents for clarification.
- 1.3 All electrical installation must be carried out by suitably qualified and competent personnel in accordance with all current statutory requirements.
- 1.4 These instructions cover only the Elta Fans Ltd product and do not include the supply or installation of any safety equipment that may be required e.g. adequate guarding or protection from rotating parts and proper electrical isolation.
- 1.5 Any declarations made by Elta Fans Ltd about product installation and safety, are dependant on the fan equipment being used within installations which themselves meet the requirements of the relevant Standards and Directives of your region.
- 1.6 The fan is designed for use in an ambient temperature of up to +60°C. The fan is not suitable for corrosive or explosive atmospheres.
- 1.7 The installer should provide easy access to the fan to facilitate future maintenance.
- 1.8 The installer should ensure the fan is adequately supported.
- 1.9 This product is not intended for use by persons (including children) with reduced physical, sensory or mental capabilities, or lack of experience and knowledge, unless they have been given supervision or instruction concerning use of the product by a person responsible for their safety. Children should be supervised to ensure that they do not play with the product.

2.0 Installation

Warning – The fan must be isolated from the power supply during installation and maintenance. The fan must be earthed in accordance with the local regulations.

- 2.1 Upon receipt, the cowl should be visually inspected to check for any damage.
- 2.2 If there are any queries concerning the fan equipment, Elta Fans Ltd should be contacted prior to the installation.
- 2.3 The cowl must be securely mounted in the desired position to suit the application. The cowl can be mounted on flat or inclined roofs with a maximum pitch angle of 30°.
- 2.4 **Assembly:** Invert the GRP cowl and base assembly taking care not to damage the surface of the cowl. Place the fan unit onto the base, lining up the four corner holes of the mounting plate with the pre-drilled holes in the base. Do not remove the plugs from any unused holes. Secure the fan to the base ensuring that the red fibre washers are correctly positioned between the underside of the bolt head and the outer surface of the base.

Do not overtighten the bolts as this may damage the base.

- 2.5 **Backdraft shutters:** Backdraught shutters can be supplied as a factory fitted option, but when purchased for retro fitting the following procedure should be followed:
Remove the cowl taking note of its position, as it must be refitted in exactly the same position.
Note: The cowl support arms are provided with captive fixings.
Place the shutter halves together and feed the aluminium spindle through the holes forming the hinge.
Slide a black plastic spacer onto each spindle end ensuring that the whole shutter assembly is equally spaced and the shutter blades are free to move.
Slide one end of the spindle through the lower hole in the cowl support arm and by 'springing' the opposite arm outward, insert the other end of the spindle into the lower hole.
Fit one spring clip to each spindle end and check to make sure that the shutter blades move freely and also engage correctly onto the base upstand.
Refit the cowl taking care not to over tighten the bolts.
- 2.6 **Curb mounting:** Position the assembled roof unit onto the curb and secure to the timber sill with M10 coach bolts (not supplied by Elta Fans), ensuring that fibre washers are positioned under each bolt head. It is advisable to drill pilot holes prior to fitting the bolts to prevent splitting the timber curb.

Do not overtighten the bolts as this may damage the base.

2.7 Purlin mounting:

Purlin trimmers: - should be bolted to the vertical flange of the purlin member taking care to align with the roof opening.
Purlin box: - position onto trimmers and fit M10 type 'A' short tail lindaptors (not supplied by Elta Fans) into holes in the bottom flanges. Do not tighten nuts at this stage.
Soaker sheets: - slip the soaker sheet over the purlin box and fix and seal to the roof sheeting. Align the purlin box with the soaker sheet and tighten the lindaptor nuts.
Position the roof unit into the purlin box and insert M10 bolts into the four corner holes and into the purlin box captive fixings ensuring that fibre washers are positioned under the bolt heads.

Do not overtighten the bolts as this may damage the base.

- 2.8 Check the details on the motor rating plate to ensure that the correct power supply (voltage, frequency and phase) is available. An incorrect power supply will lead to permanent damage to the fan motor.
- 2.9 Refer to the appropriate wiring diagram. Ensure that all earth connections are made.

SKYFLOW SSRL

Installation Instructions

2.10 Means for electrical disconnection must be incorporated in the wiring installation in accordance with the relevant wiring and electrical regulations.

2.11 Precaution must be taken to locate the exhaust discharge terminal so as to avoid the backflow of gases into the room from the open flue of gas or other fuel burning appliances.

3.0 Cowl Maintenance

3.1 Inspection of the cowl at least once every 12 months is recommended to ensure that the motor, fan blades, and supporting guards, are clean. Any build up of dust and deposits on the blades or guards should be removed using a non-abrasive cleaner.

3.2 All fastenings should be checked for tightness. In addition, all rotating items should be checked.

Warning – Only a suitably qualified and competent person may carry out maintenance after the electrical supply has been isolated.

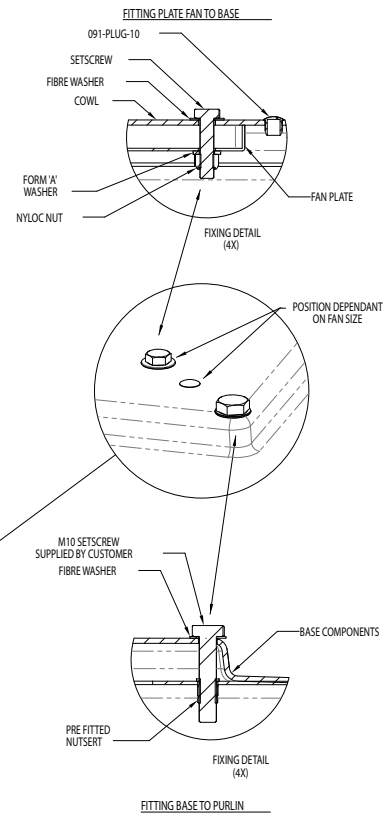
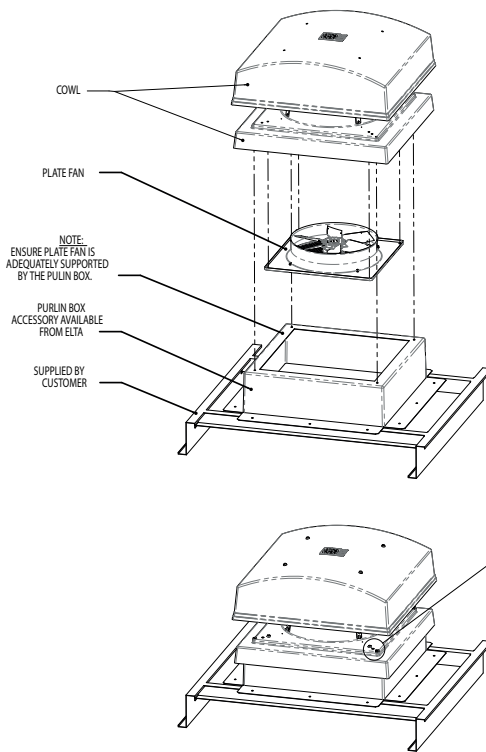
4.0 Guarantee

Elta Fans Ltd will, free of charge, within a period of 1 year from the date of dispatch from their works, repair or at its option replace any goods which are proved to have defects as a result of defective materials or workmanship. The goods MUST be returned to Elta Fans Ltd carriage paid for examination.

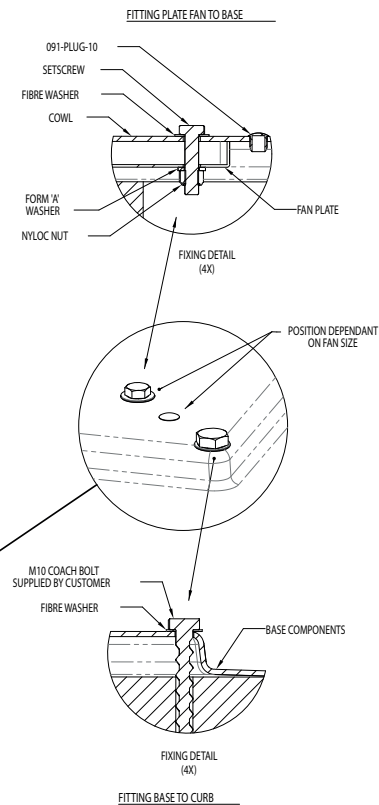
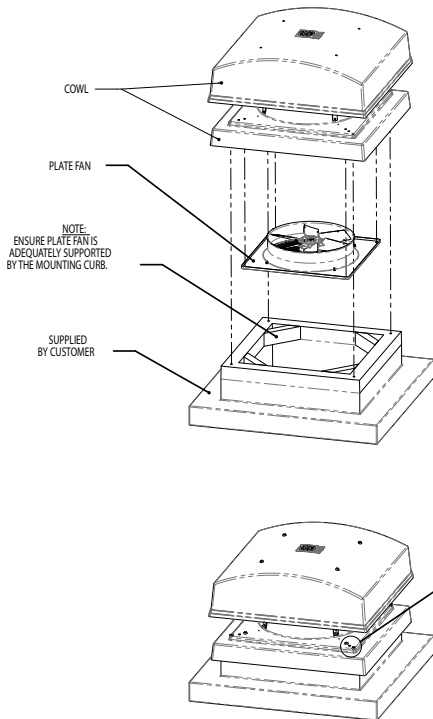
SKYFLOW SSRL

Assembly Instructions

PURLIN MOUNTING UNIT



CURB MOUNTING UNIT



Building Services

Tel **+44 (0) 1384 275800**
Fax **+44 (0) 1384 275810**
Email **bs@eltafans.co.uk**

46 Third Avenue, Pensnett Trading Estate, Kingswinford,
West Midlands, DY6 7US United Kingdom

Applied Technology & Building Services Export

Tel **+44 (0) 1489 566500**
Fax **+44 (0) 1489 566555**
Email **at@eltafans.co.uk / export@eltafans.co.uk**

17 Barnes Wallis Road, Segensworth East Industrial Estate,
Fareham, Hampshire, PO15 5ST United Kingdom

eltafans.com

535-IOM0081 Issue B



BS EN ISO 9001:2015 FM 556465

