



SCH400/6-3 **HERITAGE SCHT**

Roof Mounted Vertical
Discharge Centrifugal Fan

HERITAGE SCHAT

Product Overview

The Heritage SCHAT is a range of roof mounted centrifugal fans which is designed to handle clean, grease laden or contaminated air, whilst providing easy access for cleaning.

Casing

The all metal cowls shall provide a long lasting and robust construction, manufactured from pressed galvanised sheet steel and powder coated after forming.

The wind band shall incorporate toggle clamps to provide easy access for cleaning and maintenance. All SCHAT units can be mounted at angles up to 15°.

Impeller

Aerodynamically designed backward curved centrifugal impellers constructed in aluminium or galvanised sheet steel. Impellers are balanced to ISO 14694 Grade G6.3.

Motors

Motors are to be foot mounted totally enclosed metric type to IP55, with sealed for life bearings, standard industrial paint finish and Class F insulation to EN 60034-5, suitable for operating temperatures up to +50°C.

Motors are to be wired via a weatherproofed cable to an IP55 protected terminal box.

Quality Management

Units are to be designed and manufactured with procedures as defined in BS EN ISO 9001:2008. All SCHAT units are to be tested to ISO 5801:2007 (airside performance) and BS 848 Part 2:1985 (sound performance).

Typical Applications

- Industrial
- Commercial Kitchens and Catering
- Hospitals
- Bakeries
- Forges and Foundries



HERITAGE SCHAT



Performance, SFP & Electrical Data

Three Phase 380V to 415V / 50Hz

Product Code	Speed r/min	Airflow	Airflow m ³ /s @ Static Pressure Pa				Motor Electrical Data		dBA @ 3m
			0	50	100	150	Output kW	FLC Amps	
SCHT400/6-3	900	m ³ /s	0.77	0.67	0.58	0.47	0.37	1.30	44

Data provided is at standard air density of 1.2 kg/m³.

Data in accordance with ErP 1253/2014 of the European Parliament. Product category is NRVU. Measurement category used to determine energy efficiency: C.

A variable speed drive is integrated within the fan.

Peak Amps @ 230V / 1PH / 50Hz.

The overall A-weighted sound pressure level is at a distance of 3m with spherical free-field propagation. It is expressed in dB re-20μPa and is presented for comparative purposes only.

HERITAGE SCHAT



Sound Data

Three Phase 380V to 415V / 50Hz

Product Code	Sound Power Level dBW @ Octave Band Hz								Total dB
	63Hz	125Hz	250Hz	500Hz	1kHz	2kHz	4kHz	8kHz	
SCHT400/6-3	77	72	66	63	58	54	51	47	-

Data provided at standard air density of 1.2 Kg/m³.
Tests and preparation of the sound data have been carried out in accordance with BS 848 Part 2:1985 at 50% peak pressure.
The Sound Power Level Spectra are in dB re-1pW.

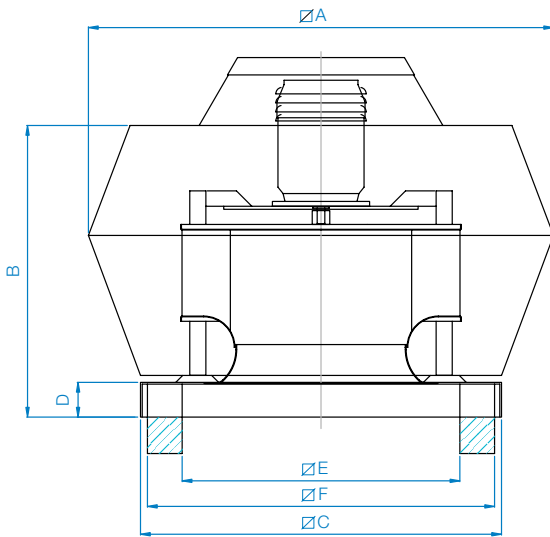
HERITAGE SHT



Dimensional Data

Three Phase

Product Code	A	B	C	D	E	F	Weight kg
SCHT400/6-3	665	420	520	50	400	500	26



Dimensions are in mm.

Building Services

Tel **+44 (0) 1384 275800**
Fax **+44 (0) 1384 275810**
Email **info@eltafans.co.uk**

46 Third Avenue, Pensnett Trading Estate, Kingswinford,
West Midlands, DY6 7US United Kingdom

Applied Technology & Building Services Export

Tel **+44 (0) 1489 566500**
Fax **+44 (0) 1489 566555**
Email **at@eltafans.co.uk / export@eltafans.co.uk**

17 Barnes Wallis Road, Segensworth East Industrial Estate,
Fareham, Hampshire, PO15 5ST United Kingdom

eltafans.com

C-SCHT400/6-3-08-2019



BS EN ISO 9001:2015 FM 556465

