

JETVENT JVC

ELTA

Centrifugal Induction Fan

Select models available for next day delivery



JETVENT JVC

Product Overview

- 2 standard sizes, 50N and 100N
- Removes car park pollutants including smoke, without the use of ducting
- Suitable for operating temperatures up to +300°C for 2 hours
- EN12101 certified with BSI Kitemark
- Low profile design

The Jetvent centrifugal induction range comprises 50N or 100N thrust types that conform to European Standard EN12101-3. The range is suitable for ambient temperature operation as well as once only, 2 hour high temperature smoke conditions up to +300°C. The two speed motor is suitable for frequency inverter speed control on high speed.

Cost Effective

Jetvent provides the scope for reduced installation and overall construction build costs compared with traditional ducted systems. The high efficiency impellers make this a very economical method of moving high volumes of air.

Rigorous Testing

Jetvent is independently tested to meet the exacting standards of EN 12101-3 for operating at +300°C for 2 hours. Units are tested to ISO13350 (airside performance) and ISO13347-2 (sound performance).

Air Quality

Jetvent induction fans provide an improvement in air quality achieved by mixing the air more effectively, which means the potential risk of contaminant accumulation (beyond specific requirements) is overcome.

Ingress Protection

A minimum protection to IP55 on electrics improves reliability and ease of cleaning by means of pressure washing components. The unit is supplied as standard with lockable fire rated isolator.

Robust Design

Casing shall be pre galvanised mild steel sheet to provide a long lasting and robust construction. The integral guard is designed to protect against the rotating impeller parts. The guard is bright zinc plated.

Slim Profile

The slim profile design of Jetvent allows designers to overcome problems caused by obstructive structural beams and low overall ceiling heights, without compromising performance characteristics.

Better Security

The elimination or reduction in ductwork means a safer, lighter environment with better security due to the increased visibility.

Low Maintenance

With no ductwork, maintenance costs are reduced as there is no ducting to become blocked, damaged or subject to leakage.



Product Coding

Code	Reference
JVC	Jetvent Flanged (JF)
/	
F3	F300 (F3) / F400 (F4)
B	Painted (A) / Galvanised (B)
-	
50N	100N (100N) / 50N (50N)
-	
2	Single Speed (1) / Two Speed (2)
-	
A	400V 50Hz (A) / 460V 60Hz (B) / 380V 60Hz (C)
I	Isolator, Switch Disconnect (I) / Terminal Box (T)
e.g.	JVC/F3B-50N-2-AI

Optional Extras

Code	Reference
HTRS	Anti-Condensation Heaters
PTCS	PTC Thermistors

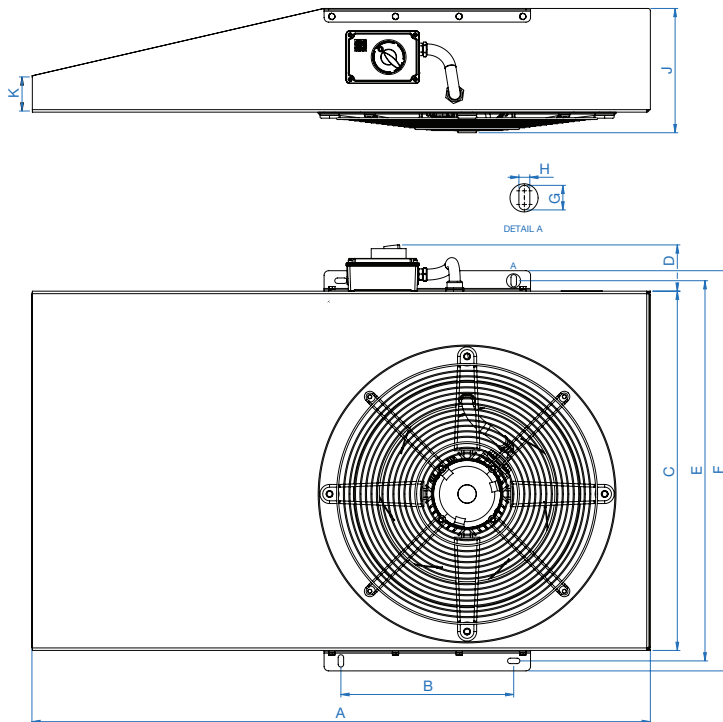
Performance Data

Product Code		Thrust N	Volume Flow Rate m ³ /s	Velocity m/s	Sound Pressure dBA @ 1m	Speed r/min	Motor Power kW	FLC Amps	SC Amps	Absorbed Power kW
JVC/F3B-50N-2-AI	High	54	1.62	28.82	67	1449	1.38	3.2	16	1.11
	Low	12	0.80	14.00	40	733	0.35	1.36	4.08	0.21
JVC/F3B-100N-2-AI	High	100	2.65	33.19	72	1425	2.7	6.03	30.15	2.31
	Low	18	1.35	16.84	55	729	0.68	2.26	7.23	0.43

All dimensions are expressed in mm. Motors shown are suitable for the following: General use at temperatures (ambient) +40°C. One off high temperature use of 300°C for 2 hours. 400Volt / 3 Phase / 50Hz electrical supply. All thrust figures are measured under test conditions. Volume flow and velocity figures shown may have been calculated in accordance with test requirements. All the test data shown has been prepared in accordance with ISO 13350 1999 / BS 848-10-1999. dBA figures are free field sound pressure levels at 45° to the outlet.

Dimensional Data

Product Code	A	B	C	D	E	F	G	H	J	K	Weight kg
JVC/F3B-50N-2-AI	1359	380	790	102	836	880	27	12	273	75	113
JVC/F3B-100N-2-AI	1830	700	1147	102	1203	1247	27	12	332	70	146



Dimensions are in mm.

Tel **+44 (0) 1384 275800**
Email **info@eltauk.com**
eltauk.com

JVC-11-2022 Issue B

