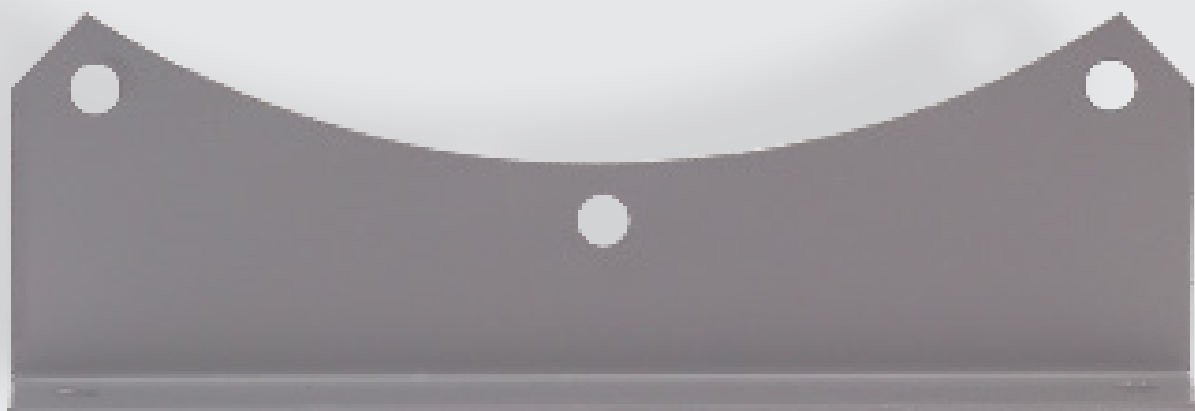


POWDER COATED MOUNTING FEET

ELTA

» **Select** models available for next day delivery



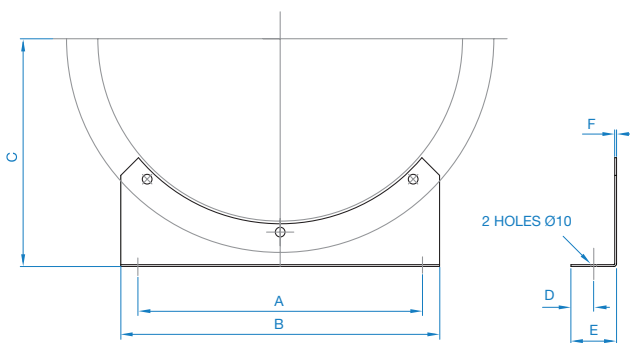
POWDER COATED MOUNTING FEET

Overview



- For free standing mounting of ducted fans
- Fixes directly to fan case flange
- Powder coated steel (Telegrey 1, RAL7045)
- Supplied individually, less fixings

Product Code	Fan Dia.	A	B	C	D	E	F	Weight kg
060A-0250-C	250	200	230	170	20	40	1.6	0.9
060A-0315-C	315	250	280	200	20	40	2.0	1.0
060A-0350-C	350	280	310	225	20	40	2.0	1.3
060A-0400-C	400	220	250	250	20	40	2.0	1.5
060A-0450-C	450	240	275	275	20	40	2.0	2.0
060A-0500-C	500	280	315	315	25	50	2.5	2.5
060A-0560-C	560	320	355	355	25	50	2.5	4.0
060A-0630-C	630	360	400	400	25	50	2.5	5.0



Dimensions are in mm.

POWDER COATED MOUNTING FEET

Notes

ELTA

Tel **+44 (0) 1384 275800**
Email **info@eltauk.com**
eltauk.com

060A-C-03-2023 Issue B



BS EN ISO 9001:2008 FM 556465



A MEMBER OF  ELTA GROUP