

# Room Thermostat TR101X

## Description

The TR101X is a thermostat suitable for room temperature monitoring and is wall mounting. The unit has an exposed setpoint adjustment knob and comes with SPDT contacts for heating/cooling applications.

## Features

- SPDT Contacts
- Exposed Setpoint Knob



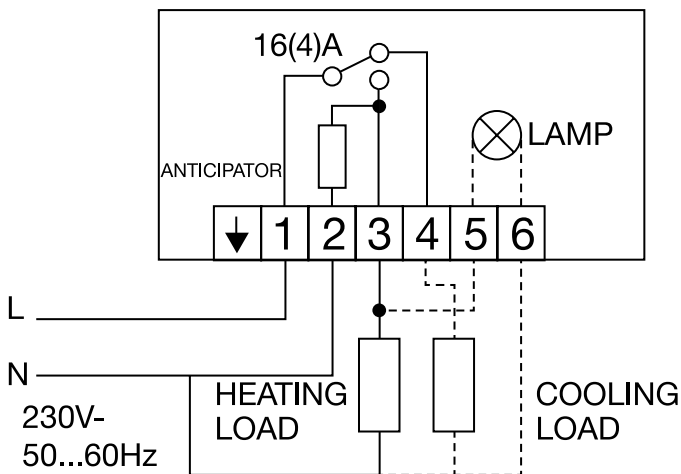
## Technical Specification

**Contact Type:** SPDT (Heating/Cooling)  
**Contact Rating:** 16(4)A @ 250Vac  
**Temperature Range:** 10...30°C  
**Differential:** 1°C  
**Ambient Storage:** -20...+50°C, 0...90% RH

## Order Code

TR101X Room Thermostat

## Wiring



## Installation

### Important:

- The installer must be a trained service engineer
- Disconnect the power supply before beginning installation

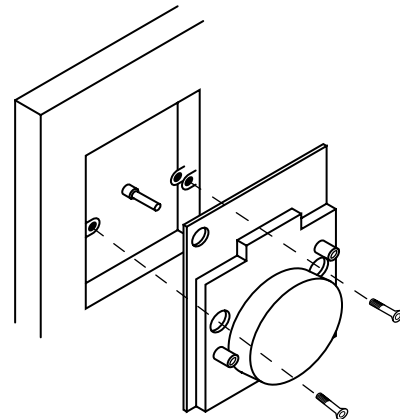
### Location

A room thermostat is the temperature control element in a heating system and must be located in a position with good air circulation at average temperature and on an inside wall about 1.5m above the floor.

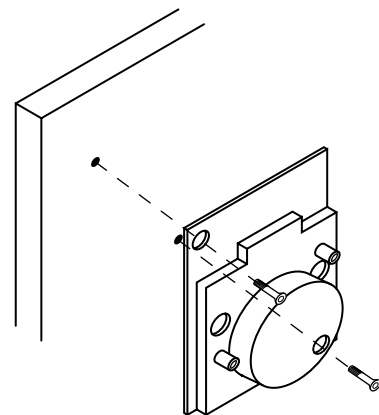
Do not position the thermostat in draughts, or near hot or cold air from water pipes or radiant heat from the sun or appliances.

### Mounting the Thermostat

The thermostat can be directly mounted on the wall or on a conduit box (see below). Mounting screws are provided for both alternatives.



Wall box mounting  
Holes spaced to suit BS4662



Surface mounting  
Use wall box fixing holes or use alternatives shown

# Room Thermostat TR101X

## Dimensions

