



Features & Benefits

- Adjustable switching point
- High capacity, fully encapsulated N/C, N/O micro-switch
- Lid-mounted screws provide tamper proofing
- Cost-effective flow switch for many HVAC applications

Technical Overview

The FS-521 is a paddle switch intended to monitor air flow within ductwork and provide a switch output on detection of either a specific flow rate or flow failure.

Switching sensitivity can be adjusted by means of a calibration screw within the unit. The paddle can be trimmed to increase sensitivity if necessary.

Product Codes

FS-521
Duct air flow switch

Specification

Contact Rating:	250Vac 16(6)A	
Switch:	Dust tight microswitch	
Switching:		
Minimum setting	Cut in	Cut out
	2.5m/s	1m/s
Maximum setting	Cut in	Cut out
	9.2m/s	8m/s
Dimensions:		
Housing	133 x 70 x 70mm	
Paddle	175 x 80mm	
Materials:		
Main Body	ABS	
Rod	Brass	
Paddle:	Stainless steel.	
Temperature range:		
Media	-20 to +120°C	
Ambient	-20 to +70°C	
Protection	IP65	
Country of origin	China	

WEEE Directive:



At the end of the products useful life, please dispose as per the local regulations. Do not dispose of with normal household waste. Do not burn.



The products referred to in this data sheet meet the requirements of EU 2014/30/EU and 2014/35/EU

Installation

- The switch should be installed in a straight length of duct of 5 x diameter before and after the location of installation to avoid air swirl and paddle instability, and as far away from bends as possible.
- The arrow on the side of the switch should coincide with the direction of air flow.
- Care should be taken not to damage the paddle during installation.
- The switch can be mounted in any aspect but is factory set for use in a horizontal plane. In vertical installations some adjustment may be necessary to take account of the weight of the paddle and switch arm.

Note:

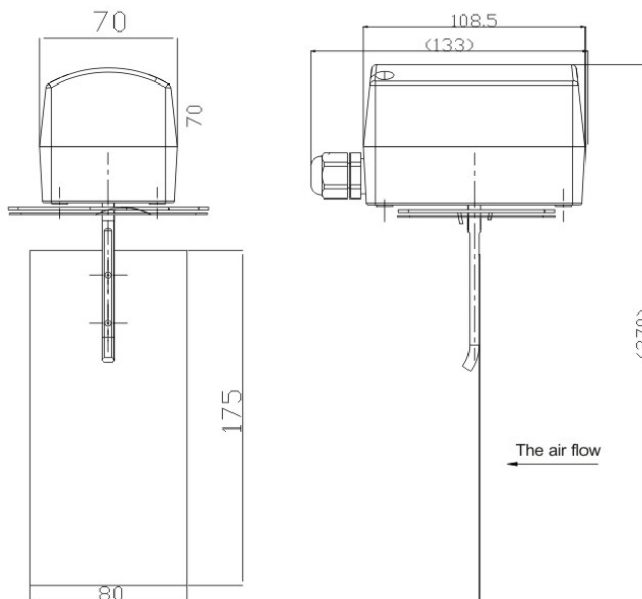
The units are calibrated to the minimum switch-off value. A higher value can be adjusted by turning the range screw clockwise. Due to the risk of fracture at air speed higher than 5 m/s the paddle must be cut off by 1/3rd. When the paddle is cut off, the minimum cut-out value increases from 1 m/s to 2,5 m/s.

Connections



Dangerous voltages may exist within this unit. Connection should be carried out by a competent and suitably qualified electrician only. The relevant earthing requirements should be observed when connecting the unit, especially when using higher voltages. Do not over tighten the terminals.

Dimensions



Whilst every effort has been made to ensure the accuracy of this specification, Sontay cannot accept responsibility for damage, injury, loss or expense from errors or omissions. In the interest of technical improvement, this specification may be altered without notice.

Tel: +44 (0)1732 861200 - E-mail: sales@sontay.com - Web: www.sontay.com

© 2017 Sontay Limited. All rights reserved