

# SANO IPIV WALL

## Intelligent Wall Mounted Positive Input Ventilation Unit

With **ECO-LoFlo** Technology

**Helping provide** Whole Home Ventilation, Condensation Dampness Control and Radon Gas Control



# SANO IPIV WALL

Intelligent Wall Mounted Positive Input Ventilation Unit



## APPLICATION

The **SANO Intelligent PIV Wall** is a wall mounted ultra-quiet, low energy, low maintenance, home ventilation unit.

The unit is designed to help ventilate a home using the well-established **Positive Input Ventilation (PIV)** principle.

PIV units have been preventing and curing condensation dampness related problems in homes for decades. They are also used to control other indoor air pollutants and have even proven to be an effective means for reducing Radon gas in some properties.

Elta Fans' range of **SANO Intelligent PIV** units, with their unique **ECO-LoFlo** energy and comfort optimisation airflow control technology, represents a 'step change' in PIV technology.

## OPERATION

External air is drawn into the **SANO Intelligent PIV Wall** unit and passes through a filter before entering the home. The filtered air is typically supplied at ceiling level in a location central to the home i.e. the hallway.

Integral controls allow the **SANO Intelligent PIV Wall** unit to be set to suit the individual requirements of the home. Airflow from the unit to the home is automatically regulated via integral temperature and humidity sensors which optimise the energy benefit of the unit while ensuring that sufficient air is always supplied to help control moisture and other pollutant levels in the home.

## FEATURES & BENEFITS

**Unique Design** Allowing for simple multi handed configuration.

**Discreet** Unit appearance designed to blend well with any home.

**Low energy** Ultra-low quiet fan/motor assembly.

**Robust** Fan casing construction built to last.

**Run Monitor** Records time power supplied to unit.

**Low maintenance** Large G2 grade filter.

**Integral, multi-functional controls** with wide airflow and temperature settings which allow the unit to be fine-tuned to suit the individual requirements of a home and its occupants. These controls include:

- 6 unit settings to choose from to suit the size, layout, thermal properties and moisture production in the home.
- Comfort Control mode function with adjustable trigger temperature setting and adjustable decreased airflow setting.
- ECO-LoFlo function.
- Override Boost mode to operate the unit at its maximum airflow by means of a user switch.

**Warranty** Each **SANO IPIV Wall** has a 5 Year Warranty as standard.\*

**CONDENSATION CONTROL,  
IMPROVED INDOOR AIR QUALITY  
& RADON CONTROL FOR HOMES**

**ULTRA QUIET  
VERY LOW RUNNING COSTS  
WIDE OPERATING RANGE  
VARIOUS CONTROL OPTIONS**



## PERFORMANCE DATA

### Unit Setting

The unit setting is selected by the installer to suit the size, layout, thermal properties and moisture production in the home.

Unit Setting	Spigot Outlet (5m duct 2x bends)		Grille Outlet	
	Flow Rate (L/s)	Watts	Flow Rate (L/s)	Watts
1	13	3.7	14	4.5
2	17	4.8	17	5.2
3 (default)	21	6.4	21	6.9
4	25	9.2	25	9.3
5	29	11.1	29	12.7
6	33	16.8	34	16.8

\* The power consumption shown is for the PIV unit running in Normal mode

## MODES

**Normal** The unit will run in this mode for the vast majority of its operational time until the unit's integral temperature sensor switches it to Heat Recovery or Standby mode or the Override Boost mode (if connected via a suitable switch) is activated by the occupants.

**Eco-LoFlo** The unit constantly monitors the incoming air's temperature and moisture content. When the incoming air is below 10°C the unit checks its moisture content to see how dry it is as less drier air is needed to be supplied to the home to control internal humidity levels. The unit's Normal airflow is reduced automatically in proportion to its moisture content under this function, however, to ensure minimum ventilation rates are maintained, a minimum of 50% of Normal airflow is always provided. This unique control function can not only provide improved comfort levels for occupants, but can also significantly reduce the demand on their heating.

**Comfort Control** The unit will decrease in speed when the supply air temperature reaches the Comfort Control trigger temperature. This can save energy, increase the service intervals and prevent undesirable warm air being introduced unnecessarily into the home e.g. during hot summer days

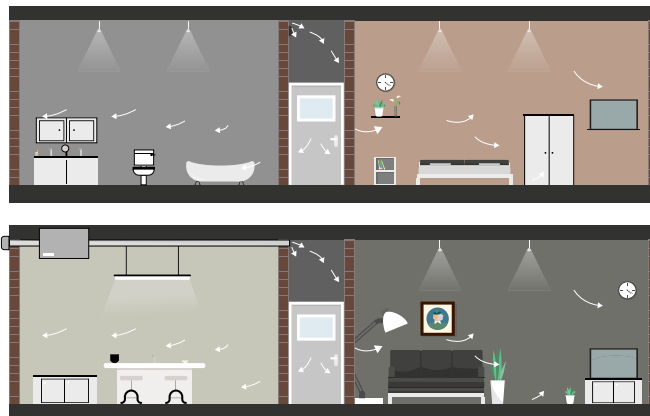
**Override Boost** The unit's automatic controls can be overridden to operate the unit at its maximum airflow by means of a user switch hard wired to the relevant connections within the unit.

## GRILLE

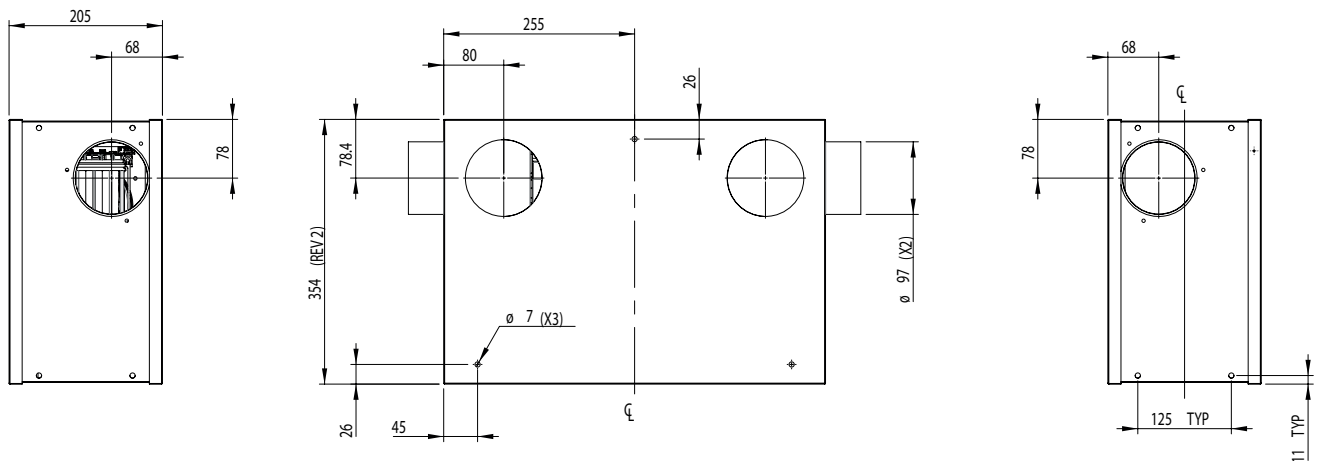
An optional flat end panel grille is supplied as standard with the **SANO IPIV Wall**.



## INSTALLATION TYPES



## DIMENSIONAL DATA



Dimensions in mm.

**Note:** The unit can be configured on site to suit multiple installation options. These include:

- Top left spigot inlet, top right spigot outlet
- Top right spigot inlet, top left spigot outlet
- Rear inlet, top right spigot outlet
- Rear inlet, top left spigot outlet
- Top left spigot inlet, top right unit grille outlet
- Top right spigot inlet, top left unit grille outlet
- Rear inlet, top right unit grille outlet
- Rear inlet, top left unit grille outlet

# homevent

Homevent offer a full range of ventilation services and products for new and existing homes. Our experienced staff are trained specifically to provide outstanding levels of technical competence and customer service to customers.

**Tel:** +44 (0) 1384 275822, **Email:** sales@homevent.co.uk  
46 Third Avenue, Pensnett Trading Estate, Kingswinford, West Midlands, DY6 7US, UK

A MEMBER OF  ELTA GROUP

[www.homevent.co.uk](http://www.homevent.co.uk)

Our 5 year warranty is provided only to customers who purchased directly from us. If you purchased elsewhere then please contact them directly and they will let you know their warranty procedure. Our warranty covers repair or replacement of defective goods only. It does not cover any labour costs associated with defective product or component removal or installation, nor does it cover the cost of sending goods back to us for inspection. Our warranty is subject to storage, installation, commissioning, inspection and maintenance having been carried out in accordance with our Installation and Maintenance Instructions (supplied with each product) and which are also available to view, save or print from our website.

Homevent is a division of Elta Fans Ltd and has a policy of continuous product development and improvement and therefore reserves the right to supply products which may differ from those illustrated and described in this publication.

HV. IPIV WALL. ISSUE D. 01.04.