

CaterSense - 02 Controller

CaterSense-02 unit is our stand-alone interlock and gas pressure proving system which can be used in any catering application to meet BS6173:2009.

Option 1: CaterSense-02

Will interlock up to 2 fans or 1 fan plus gas pressure proving.

Option 2: CaterSense-02 + VV-EM-02

Will interlock up to 4 separate fans or 3 fans plus gas pressure proving .

Both units use a simple single button setup.

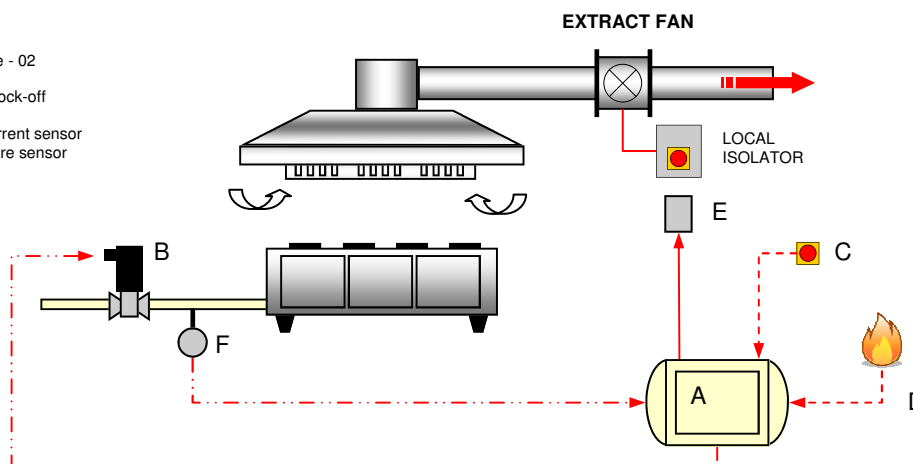


Model Type	Model	Description
	CaterSense - 02	Controller - 2 fans or 1 fan + GPP
	CaterSense - 02 + VV-EM-02	Controller - Up to 4 fans or 3 fans + GPP

Technical Data		
Power supply	240Vac 50Hz (L,N,& E)	
Number of sensor channels	Two (Four with VV-EM-02)	
Current rating of monitor	0 to 50Amp (Remote head sensor)	
Voltage range of fans	Single phase (240Vac) or three phase (415Vac)	
Gas valve output	240Vac (L,N & E)	
Fire alarm input	Volt-free to open on alarm	
Remote knock-off	Volt-free to open on activation	

Typical Application - Extract Fan Canopy

- A = CaterSense - 02
- B = Gas Valve
- C = Remote knock-off
- D = Fire alarm
- E = Remote current sensor
- F = Gas pressure sensor



Wiring Diagram

The CaterSense system has two sets of terminals all mounted along the top edge of the main PCB circuit board.

Terminals 1 to 12 are the smaller terminals (1.5 mm² cable) and are used for the sensors, inter-locking devices, remote speed and on/off control.

Terminals 29 to 34 are the larger terminals (4 mm² cable) and are for the power connections for the fans, gas valve and power supply to the unit.

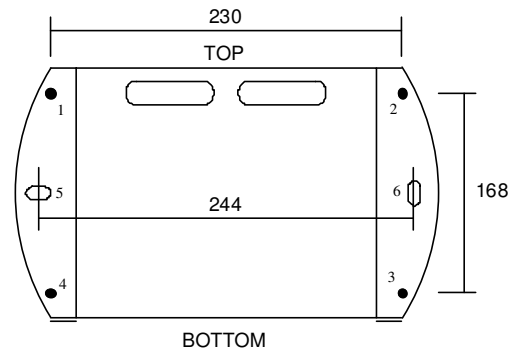
The terminals are of the rising clamp type protection.



Fitting Instructions

The **CaterSense - 02** unit has six (6) mounting holes which can be used (as shown)

Note: Ensure that the enclosure is mounted on a clean and level surface away from the direct cooking area or surfaces.



Ancillary Products

Remote Knock-off Buttons



- RKPB-01 Knock-off
- RKPB-02 Key
- RKPB-03 Key + Shroud

Remote Sensors



- CS-GPS-01
- Gas Pressure Sensor

Gas Valves



- GV Valves
- 1/2" to 2-1/2" BSP



- CS-RCT-01A
- CS-RCT-02A
- Remote Current Sensors



This symbol on this product or the package indicates that disposal of this product after its lifecycle could harm the environment. DO NOT dispose of this product (or batteries if used) as unsorted municipal waste. It should be disposed by a specialised company for recycling. This product should be returned to your distributor or to a local recycling service. Respect the local environment rules.