

QIN

Intermittent Axial Fan

ELTA





Description

The QIN fans are designed to be used with ducted ventilation solutions. They are slim and simple to set up and operate. This in-line domestic intermittent axial fan is suitable to extract stale air directly outside or through short length ducting. Available in 3 sizes to suit 100, 125 and 150mm duct. Ideal for air extraction in bathrooms, toilets, laundries, kitchens and other small to medium spaces.

Typical Applications

Exhaust from bathrooms, toilets, laundries, kitchens and other small to medium spaces in houses, hotels and apartments.

Features

- Unique design winglet-type impeller, providing enhanced aerodynamic properties, low noise levels and increased efficiency.
- Low power consumption with fan consuming less than 8 watts of power for 100mm model.
- Single-phase induction motor with integral thermal protection, mounted on sealed for life high quality sleeve bearings.
- Double insulated so no earth connection is required.
- Available in Standard and run-on timer versions.
- Suitable for continuous and intermittent running.
- Comes with 2 year warranty.
- Mounting foot available upon request.

Construction

Fan housing made from high quality ABS which is shock proof and long lasting.

Finished in white RAL 9010 and UV resistant.

Motor

Type - single-phase induction motor.

Electricity supply - single phase 220-240V, 50/60Hz.

Bearings - sleeve.

Maximum ambient temperature - 50°C.

Class II insulation, IPX4 rated.

Internal Thermal Protection

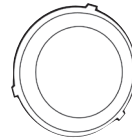
Model 100, 125 and 150 - fuse.

Testing

Airflow to ISO 5801:2007

Noise to ISO 3741:2010

Ancillary Equipment



Ceiling Grilles

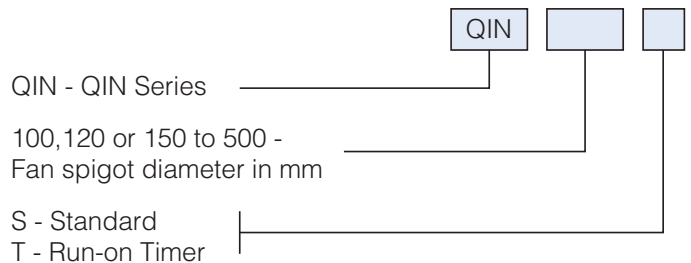


Ducting, Louvres & Grilles

Suggested Specification

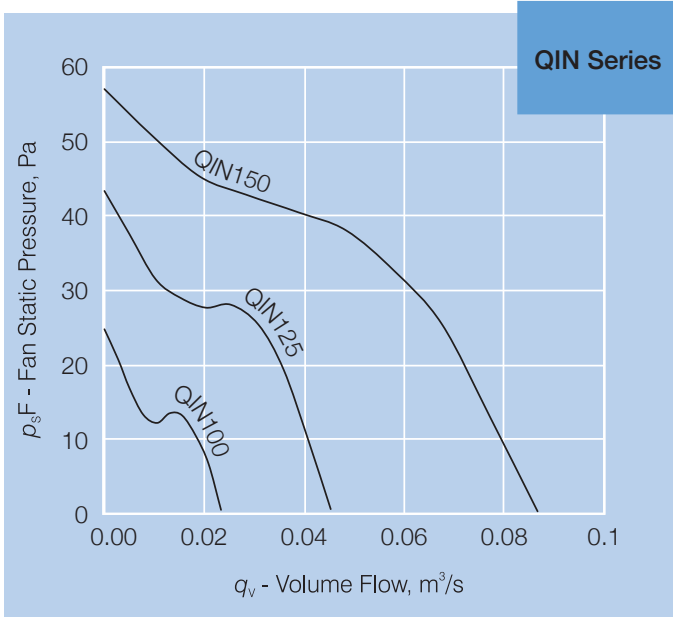
The in-line fans shall be of the QIN Series as supplied by Elta and be of the models shown. It shall have single-phase induction motor with built in thermal protection and double insulated so no earth connection is required. All models shall be fully tested to ISO 5801:2007 for airflow and ISO 3741:2010 for noise.

How To Order

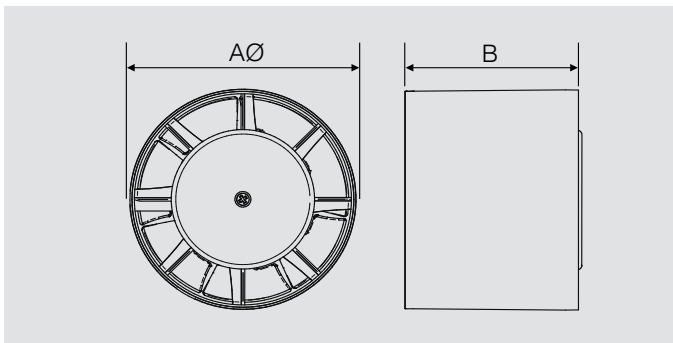


Technical Data

Model Number	Fan Speed rev/sec	Free Air m ³ /sec	Static Pressure Pa Max	Watts	Avg. dB(A) @ 3m	Max °C
100	41	0.025	24	8	34	50
125	39	0.045	43	14	39	50
150	37	0.087	57	24	45	50



Dimensions



Model Number QIN...	Dimensions, mm		App. Wt. kg
	AØ	B	
100	99	80	0.37
125	119	90	0.51
150	140	100	0.83



Elta Asia Sdn Bhd

Tel **+603 7846 0340**

Email **info@elta.asia**

elta.asia

QIN-05-2026 Issue A



FS 676456

A MEMBER OF  ELTA GROUP