

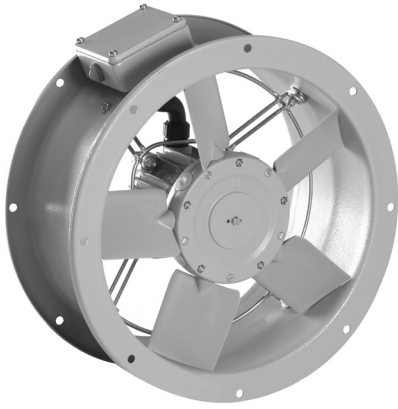
SHORT CASE AXIAL

Short Case Axial Fan

ELTA



SHORT CASE AXIAL



Description

The Short Case Axial has a light-weight but robust construction and is designed for ducted systems.

They feature a galvanised steel casing with a polyester epoxy finish and are capable of operating in ambient temperatures ranging from -20°C to +70°C.

There are 8 sizes in the range extending from 250 to 630mm diameter.

Typical Applications

Exhausting or supplying air in a wide range of commercial and industrial applications.

Features

- Compact, short case design.
- Light-weight but robust construction.
- Most motors fitted to the 415V/3-phase Short Case Axial Series are a 2-speed, star/delta design.
- An electric junction box is fitted as standard.
- When being speed controlled the maximum allowable ambient is 50°C.
- Can be mounted in any position.
- An extensive range of matched Ancillary Equipment is available.

Construction

The casing is of galvanised steel with a polyester epoxy finish as standard.

Impeller blades are of GRP. Aluminium blades are an optional extra.

Motor

Type - squirrel cage induction motor.

Electricity supply - 230V single-phase or 415V three-phase, 50Hz.

Ball Bearing - sealed for life.

Speed-controllable using electronic or auto-transformer controllers.

Enclosure IP55.

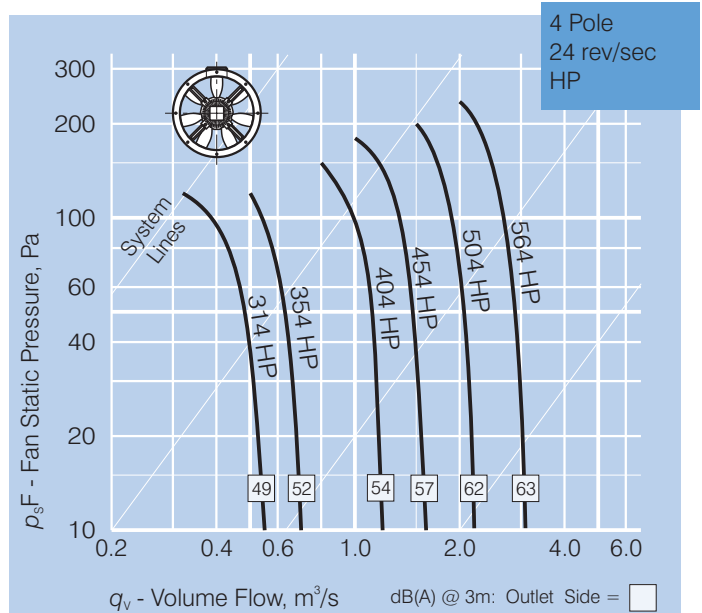
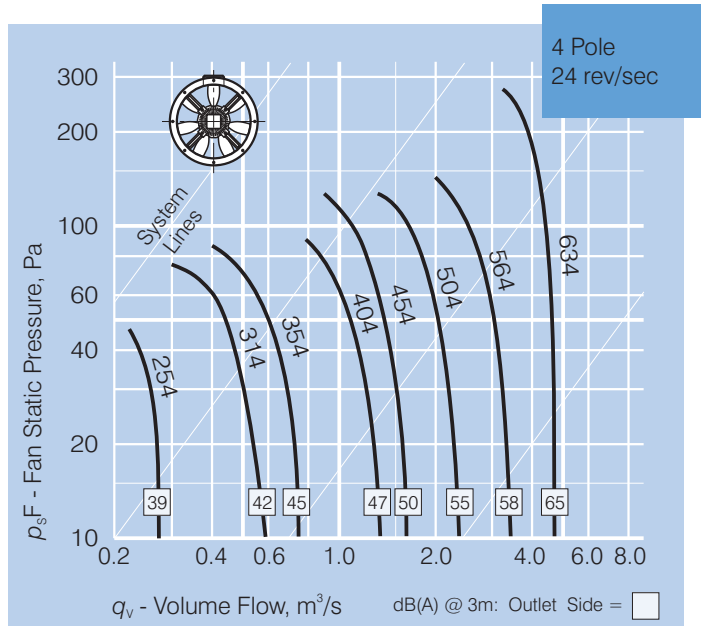
Internal Thermal Protection

Integral thermal protection is supplied as standard.

Testing

Airflow tests to ISO 5801: 2004

Noise tests to BS848:Part 2, 1985



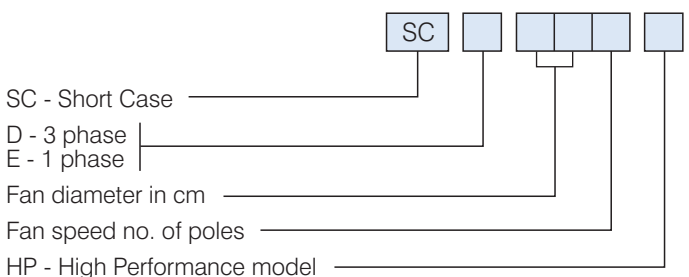
Suggested Specification

The Short Case Axial shall be as supplied by Elta. The axial impellers shall be of GRP and driven by single-phase or three-phase motors with integral thermal protection.

Casings shall be of galvanised steel construction with a polyester epoxy finish.

All models shall be fully tested to ISO 5801: 2004 for airflow and BS848: Part 2, for noise.

How To Order



SHORT CASE AXIAL

Technical Data

Model	Fan.		SCE..	1 ph.	SCD..	3 ph.	App.
	Speed	Avg.					
SCD..	rev/	dB(A)	SCE..	Amps	kW	Amps	wt
SCE..	sec	@ 3m	kW				kg.
254	23	39	0.09	0.90	0.12	0.50	8.0
314	23	42	0.09	0.90	0.12	0.50	8.5
314HP	23	49	0.09	0.90	0.12	0.50	8.5
354	23	45	0.09	0.90	0.12	0.50	9.0
354HP	23	52	0.09	0.90	0.12	0.50	9.0
404	23	47	0.25	1.80	0.37	1.40	12.0
404HP	23	54	0.25	1.80	0.37	1.40	12.0
454	23	50	0.25	1.80	0.37	1.40	14.0
454HP	23	57	0.25	1.80	0.37	1.40	14.0
504	23	55	0.55	3.60	0.55	1.75	20.0
504HP	23	62	0.55	3.60	0.55	1.75	20.0
564	23	58	0.75	4.90 †	0.75	2.00	22.0
564HP	23	63	0.75	4.90 †	0.75	2.00	22.0
634	23	65	-	-	1.50	4.30	24.0

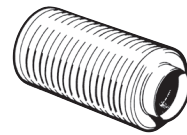
Electrical data in bold type denotes 2-speed star/delta motors are fitted. Amperages shown are a guide only. Refer to our Sales Department for accurate figures at time of order.
 † Use auto transformer control only.

Noise Data

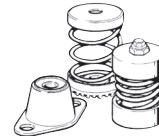
Model	In-duct Sound Power Levels							
	SCD..	L _w dB re 1pW						
SCE..	63	125	250	500	1k	2k	4k	8k
254	63	61	57	57	55	52	48	43
314	64	63	60	60	58	55	51	46
314HP	65	69	69	62	65	64	57	44
354	67	66	63	63	61	58	54	49
354HP	68	72	72	65	68	67	60	47
404	69	68	65	64	64	60	56	50
404HP	68	70	70	69	71	69	61	52
454	72	71	68	67	67	63	59	53
454HP	71	73	73	72	74	72	64	55
504	75	75	71	72	71	68	62	57
504HP	73	74	74	76	79	76	74	62
564	79	79	75	74	75	71	68	61
564HP	76	74	77	78	80	77	75	66
634	85	77	81	82	80	79	76	70

The In-Duct Sound Power Levels are for the Outlet Side of the fan. Inlet Side levels are generally 1-2dB lower. The levels are based on the fans operating at approximately 50% of peak pressure.

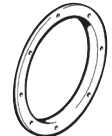
Ancillary Equipment



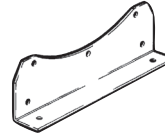
CC - Circular Attenuator



Vibration Isolators



CMF - Matching Flange



CFT - Mounting Feet



CIC - Inlet Cone



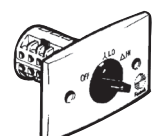
DG - Finger Guards



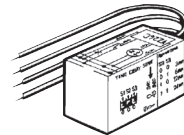
Shutters



VA - Speed controller

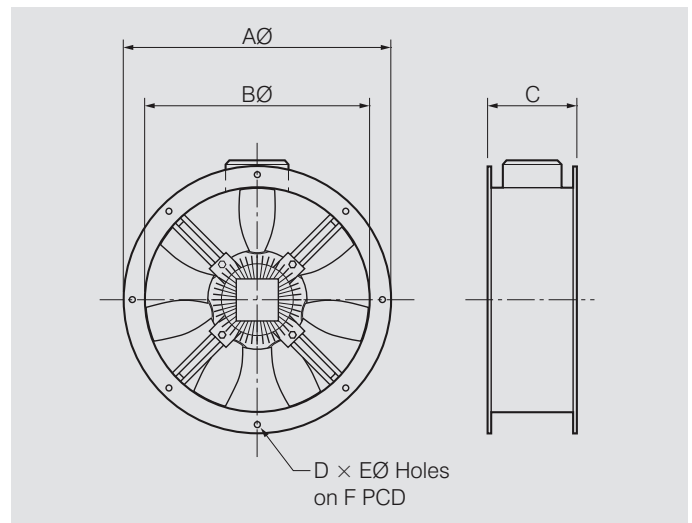


SD - Star/Delta switch



VZ - Run-on timer

Dimensions



Model	Dimensions, mm						
	SC..	AØ	BØ*	C	D	EØ	F
254		305	250	180	8	7.0	285
314		382	315	180	8	9.5	356
354		421	350	180	8	9.5	395
404		466	400	190	12	9.5	438
454		515	450	190	12	9.5	487
504		567	500	250	12	9.5	541
564		636	560	250	16	11.5	605
634		709	630	250	16	11.5	674

* Dimension B is internal for the casing.



Elta Asia Sdn Bhd

Tel **+603 7846 0340**

Email **info@elta.asia**

elta.asia

SCA-2026 Issue A



FS 676456

A MEMBER OF  ELTA GROUP