

# SILENT RESPONSE

Ducted Ceiling Exhaust Fan

---

**ELTA**



# SILENT RESPONSE



## Description

The stylish and modern Silent Response ducted ceiling exhaust fan is the quietest and most powerful in its class. Its fully optimised inlet cone and centrifugal impeller design maximises air pressure that ensures rooms are quickly cleared of steam and unpleasant odours. It includes features such as a unique swing clip and removable spigot that makes it very easy to install into a standard 8" round fan cut out.

### Typical Applications

Exhausts from residential or light commercial applications such as toilets, bathrooms, laundries, kitchens and ensuites. Its low profile compact design and side exhaust outlet makes it suitable for mounting between floors and applications with low ceiling heights such as cathedral ceilings.

### Features

- Advanced impeller and housing design provides powerful airflow and minimises noise.
- High strength swing clips make installation easy.
- Low resistance non-return backdraft damper maximises air flow performance.
- Easy to remove diffuser makes cleaning simple.
- Can be retrofitted into a standard 8" round fan cut out.
- Fitted plug and lead simplifies installation.
- Square diffuser can be easily rotated to align with walls.
- Available with a modern square or round diffuser.
- Available with a 3 to 15 minute adjustable run-on timer.

### Construction

Housing and diffuser are made from injected moulded, fire retardant, ABS plastic. Fans are forward-curved centrifugal, driven by a squirrel cage motor.

### Motor

Type - squirrel cage induction motor.

Electricity supply - 230V, single phase, 50Hz.

Bearings - sealed for life, ball.

### Internal Thermal Protection

Automatic reset thermal protection is fitted as standard.

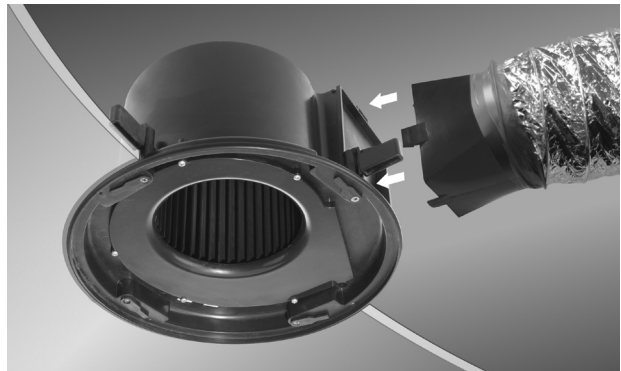
### Testing

Airflow to ISO5801:2007

Noise to ISO3744:2010

## Special Features

### Easy duct connection



*Long clip-in spigot makes installation and duct connection easier.*

### Installation is made easy



*Rotate swing clips to hold fan body in place.*



*Tighten screws so clips clamp onto ceiling board.*

# SILENT RESPONSE

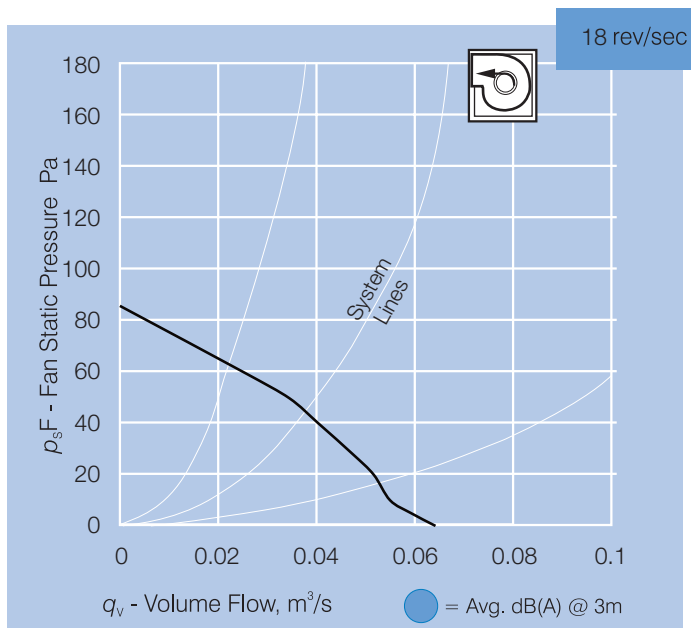
## Suggested Specification

The ceiling fans shall be of the Silent Response as designed by Elta and be of the model number shown on the schedule/drawing.

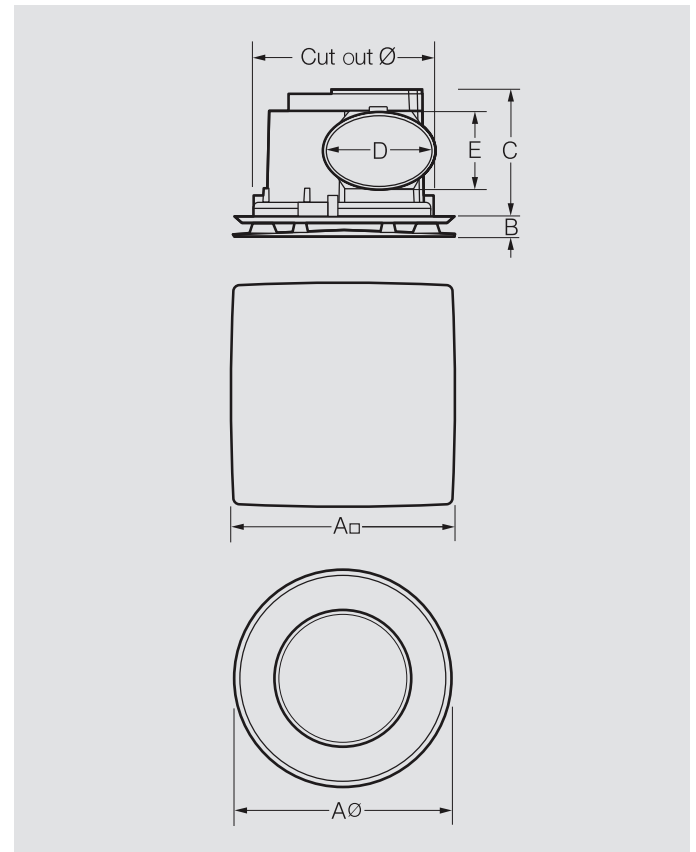
Impellers shall be forward-curved centrifugal and driven by a squirrel cage motor with integral thermal protection. They shall be fitted with high strength swing clips, removable spigot, low resistance non-return backdraft damper and removable clip-in diffuser. They shall include a plug and lead, and its housing and diffuser be made of injected moulded, fire retardant, ABS plastic.

They shall be tested to ISO5801:2007 for airflow and ISO3744:2010 for noise.

## Performance Curve



## Dimensions



Model Number	Description	Cut out Ø	Dimensions, mm				
			A	B	C	D	E
SRF100S..	Square diffuser	250	300□	28	195	105/170	120
SRF100R..	Round diffuser	295	294Ø	19	195	105/170	120

## Technical Data

Model Number	Fan Speed rev/sec	Avg. dB(A) @ 3m	Watts	Amps	App. Wt. kg
SRF100	16	29	30	0.17	3

## Ancillary Equipment



VA - Speed controller\*



Ducting, Louvres & Grilles

\* Not suitable for models with run-on timers

# SILENT RESPONSE

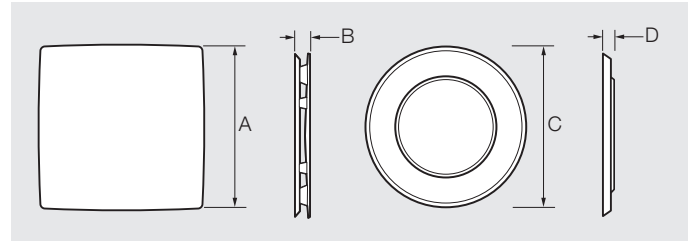
## Grilles



### Features

The Response Grilles are quick and easy to install, have a contemporary design and are available in a white or black finish.

### Dimensions



Model	Dimensions, mm			
	A	B	C	D
SRG100SW	300	24	-	-
SRG100RW	-	-	294	19

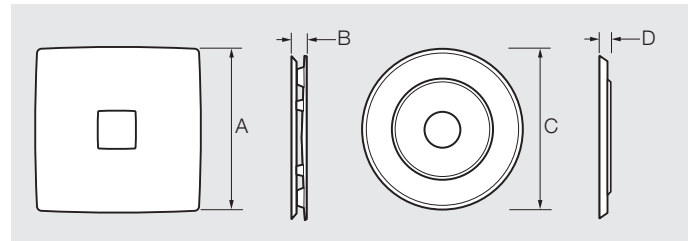
## Grilles with LED



### Features

The Response Grilles with LED will brighten up any bathroom, ensuite or toilet. Featuring an LED light in the centre which can be controlled separately to the fan itself. Stylish, modern design to suit any setting. Available in white or black finish.

### Dimensions



Model	Grille	Lumens (LM)	Input Power (W)	Colour Temp (K)	Beam Angle (°C)
SRG100					
RW-LED	Round	800	9	4200	180
SW-LED	Square	1000	12	4200	180

Model	Dimensions, mm			
	A	B	C	D
SRG100SW-LED	300	24	-	-
SRG100RW-LED	-	-	294	19









Elta Asia Sdn Bhd

Tel **+603 7846 0340**

Email **info@elta.asia**

**elta.asia**

SR-05-2026 Issue A



FS 676456

A MEMBER OF  ELTA GROUP