

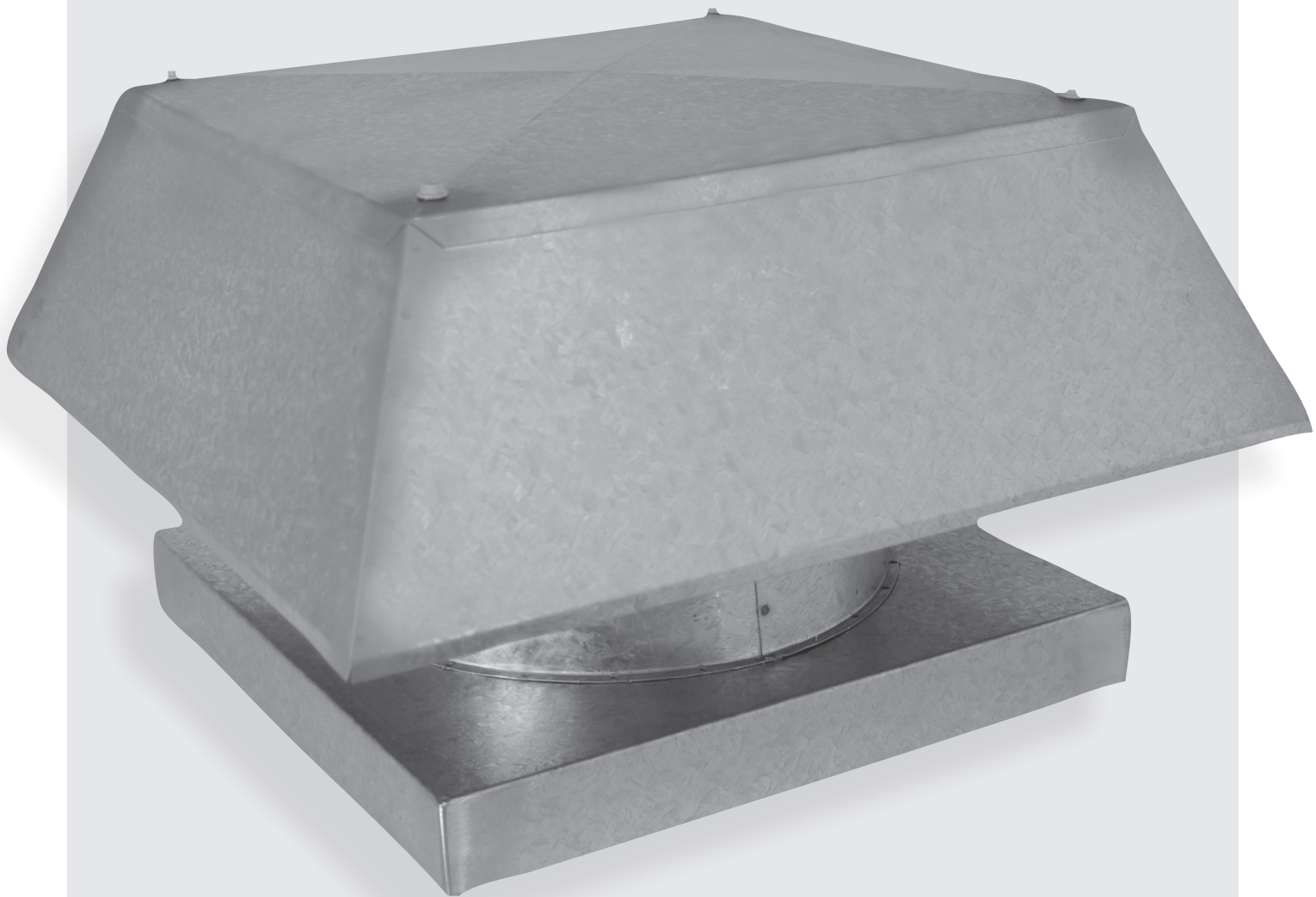
# ALPHA RELIEF AIR VENTS BFC

**ELTA**

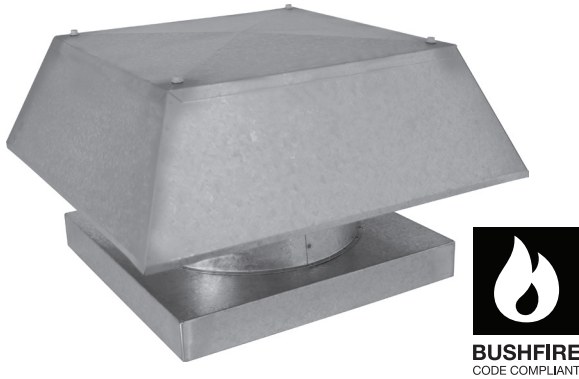
Relief Air Vent

---

**BUSHFIRE CODE COMPLIANT**



# ALPHA RELIEF AIR VENTS BFC



## Description

The robust Alpha Relief Vents with bushfire code compliance have been designed to control relief air and the pressure within buildings. They may also be used in a ducted system where the fan is mounted remotely to the cowl. They comply with BAL-LOW to BAL-40 of the Australian Standard AS3959:2009 Construction of buildings in bushfire prone areas.

There are 6 models in the range capable of handling airflows from 0.04 to 4.0m<sup>3</sup>/s.

### Typical Applications

To control relief air and the pressure within buildings in bushfire prone areas.

May also be used as the air intake and discharge point where the fan is mounted remotely.

### Features

- Robust, heavy duty galvanised steel construction.
- Fitted with high quality bronze mesh to provide protection from burning embers.
- All units are designed for curb mounting.
- Can be mounted at angles up to 30°.
- Can also be used as air intake units. Pressure losses are approximately the same.
- Compliant to AS3959:2009, upto and including BAL-40

### Construction

Cowls are of galvanised steel.

Bronze mesh with a maximum of 2mm aperture fitted.

### Additional Information

#### Construction of buildings in bushfire prone areas

AS3959:2009, clause 6.6.5(b) "Roof penetrations" states:

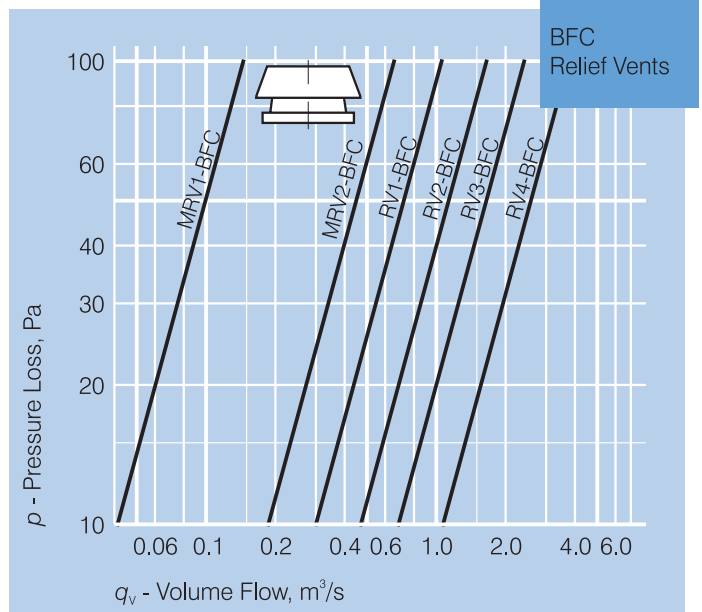
Openings in vented roof lights, roof ventilators or vent pipes shall be fitted with ember guards made from a mesh or perforated sheet with a maximum aperture of 2mm, made of corrosion-resistant steel, bronze or aluminium.

## Suggested Specification

The roof ventilators shall be of the Alpha Relief Air Vents with bushfire code compliance as designed and manufactured by Elta.

They shall be constructed from galvanised steel and include ember protection mesh made from bronze or steel with openings a maximum of 2mm.

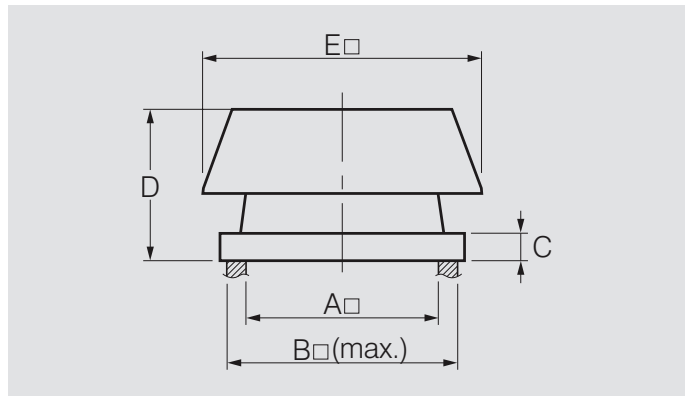
They shall comply with BAL-LOW to BAL-40 of the Australian Standard AS3959:2009 Construction of buildings in bushfire prone areas.



## How To Order

Select the model required to handle the air quantity specified from the performance graph.

## Dimensions



Model	Dimensions, mm					App. wt. kg	App. Free vol. m <sup>3</sup>	Min. Area m <sup>2</sup>
	A	B	C	D	E			
<b>MRV1-BFC</b>	210	260	30	200	346	1.0	0.02	0.017
<b>MRV2-BFC</b>	350	410	55	350	570	3.0	0.14	0.073
<b>RV1-BFC</b>	400	500	85	380	670	5.0	0.21	0.110
<b>RV2-BFC</b>	510	610	90	450	774	7.0	0.32	0.170
<b>RV3-BFC</b>	670	770	90	560	890	11.0	0.52	0.270
<b>RV4-BFC</b>	780	980	90	640	1180	16.0	1.10	0.410





Elta Asia Sdn Bhd

Tel **+603 7846 0340**

Email **info.malaysia@elta.asia**

**elta.asia**

ARAVBFC-05-2026 Issue A



FS 676456

A MEMBER OF  ELTA GROUP