



IMF E-SERIES IN-LINE MIXED FLOW FAN

Installation & Maintenance

IMF E-SERIES IN-LINE MIXED FLOW FAN

Installation Instructions

1.0 General

- 1.1 It is important these Installation and Maintenance Instructions are fully adhered to.
- 1.2 Full details of the unit supplied are shown on the product nameplate. If in doubt about any detail contact Elta Asia or its Agents for clarification.
- 1.3 All electrical installation must be carried out by suitably qualified and competent personnel in accordance with all current statutory requirements.
- 1.4 These instructions cover only the product and do not include the supply or installation of any safety equipment that may be required e.g. adequate guarding or protection from rotating parts and proper electrical isolation.
- 1.5 Any declarations made by Elta Asia about product installation and safety, are dependent on the fan equipment being used within installations which themselves meet the requirements of the relevant Standards and Directives of your region.
- 1.6 The fan is designed for use in an ambient temperature of up to 40°C and up to 90% relative humidity. The fan is not suitable for corrosive or explosive atmospheres.
- 1.7 The installer should provide easy access to the fan to facilitate future maintenance.
- 1.8 The installer should ensure the fan is adequately supported.
- 1.9 This product is not intended for use by young children or infirm persons unless they have been adequately supervised by a responsible person to ensure that they can use the product safely. Young children should be supervised to ensure that they do not play with the appliance.

2.0 Installation

WARNING – The fan must be isolated from the power supply during installation and maintenance. The fan must be connected to power supply in accordance with the local regulations including the use of appropriate wires to connect.

- 2.1 Upon receipt, the fan equipment should be visually inspected to check for any damage. Ensure that the impeller is free to rotate.
- 2.2 If there are any queries concerning the fan equipment, Elta Asia or its Agents should be contacted prior to the installation.
- 2.3 The fan must be securely mounted in the desired position to suit the application. A minimum of 1 meter of duct, the same nominal diameter as the fan spigot, should be fitted to the fan inlet and discharge spigots.
- 2.4 A minimum of 150mm clearance between the fan and the surrounding structure should be reserved.
- 2.5 To install the fan refer to the below:
 - 1) Remove the fan body from the spigots that are attached to the base by releasing the two clamping screws.
 - 2) Mount the fan base in the desired position using the fasteners supplied.
 - 3) Replace the fan body in between the spigot and tighten the two clamping screws.
 - 4) Connect air duct to both inlet and out ends.
- 2.6 Check the details on the rating plate to ensure that the correct power supply (voltage, frequency and phase) is available. An incorrect power supply will lead to permanent damage of the fan.
- 2.7 Refer to the appropriate wiring diagram.
- 2.8 Means for electrical disconnection must be incorporated in the wiring installation in accordance with the relevant wiring and electrical regulations. The disconnection may be achieved by having the plug accessible, or by incorporating a switch in the fixed wiring, in accordance with the wiring regulations.
- 2.9 Precaution must be taken to locate the exhaust discharge terminal so as to avoid the backflow of gases into the room from the open flue of gas or other fuel burning appliances.

3.0 Start Up

- 3.1 Before power is supplied to the unit, check that the wiring is correct as per the fan connection diagram.
- 3.2 At initial start up, check that impeller rotation and airflow direction is correct.

4.0 Fan Maintenance

- 4.1 Inspection of the fan at least once every 12 months is recommended to ensure that the motor, fan blades, spigots and housing are clean. Any build-up of dust and deposits should be removed using a non-abrasive cleaner or a soft brush.
- 4.2 All fastenings should be checked for tightness. In addition, all rotating items should be checked.
- 4.3 Bearings are of the 'sealed for life' type and will not need a detailed inspection.

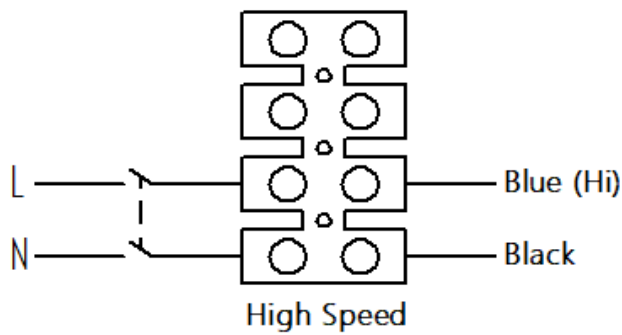
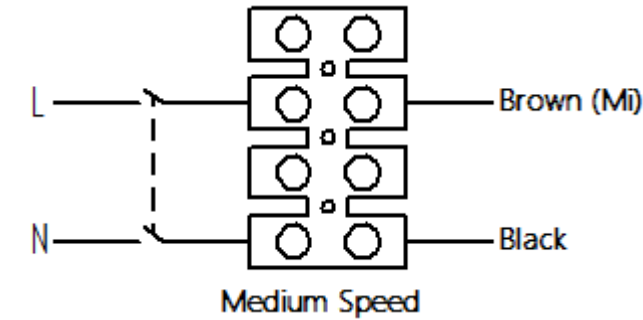
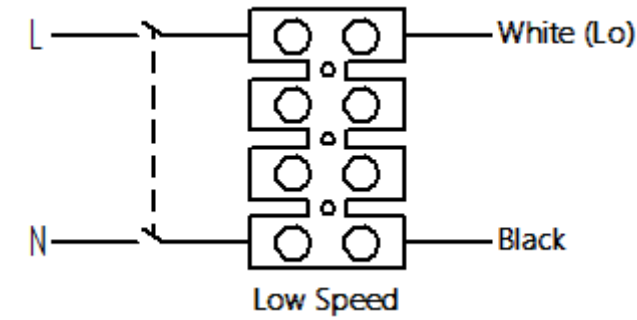
WARNING – This fan is fitted with a one-shot thermal fuse which switches the fan off in the event of a fault condition. Do not cover the air inlet and outlet. Only a suitably qualified and competent person may carry out maintenance after the electrical supply has been isolated.

5.0 Guarantee

Elta Asia will, free of charge, within a period of 2 years from the date of dispatch, repair or at their discretion replace any goods which are proved to have defects as a result of defective materials or workmanship. The goods MUST be returned to Elta Asia carriage paid for examination.

IMF E-SERIES IN-LINE MIXED FLOW FAN

Wiring Diagram



220-240VAC 50Hz 1Ph		
Motor Wires	Speed	Power Wires
White	Low	L
Brown	Medium	
Blue	High	
Black	Common (Neutral)	N

IMF E-SERIES IN-LINE MIXED FLOW FAN

Performance Data

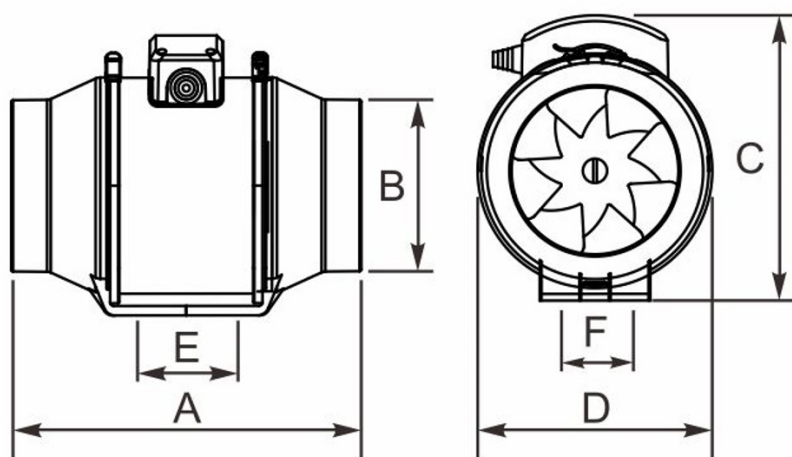
Single Phase 220V to 240V / 50Hz

Model No.		Airflow m ³ /h (free air)	Rated Power W	Noise level (High speed) dB(A) @ 3m	Approximate weight kg	Duct Size mm
IMF-100E	High	270	33	42	1.45	100
	Medium	194				
	Low	176				
IMF-150E	High	475	55	50	2.2	150
	Medium	352				
	Low	313				
IMF-200E	High	856	135	56	3.75	200
	Medium	741				
	Low	648				

IMF E-SERIES IN-LINE MIXED FLOW FAN

Dimensional Data

Model No.	A	ϕ B (Nominal)	C	D	E	F
IMF-100E	258	100	216	178	80	60
IMF-150E	304	150	248	204	93	60
IMF-200E	300	200	275	210	114	85





Elta Asia Sdn Bhd

Tel +603 7846 0340
Email info@elta.asia

elta.asia

IMF-E-IM-05-2026 Issue A



FS 676456