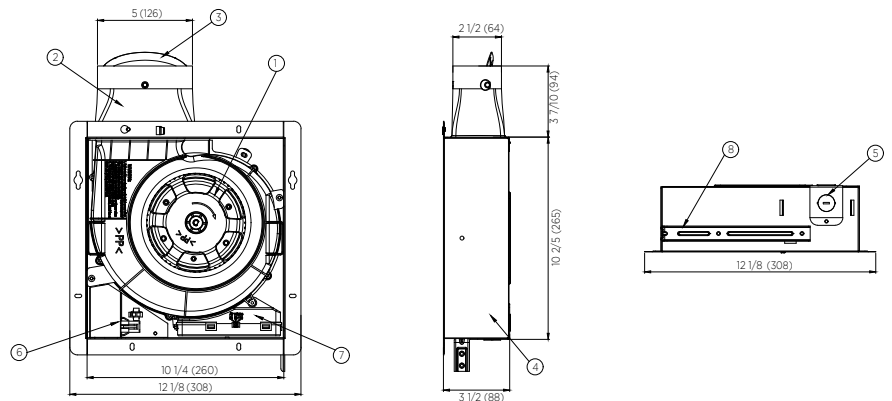


INSTALLATION & MAINTENANCE INSTRUCTIONS

URF100 – Ultra Response Ducted Ceiling Exhaust Fan

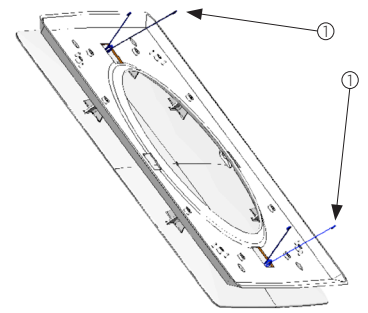
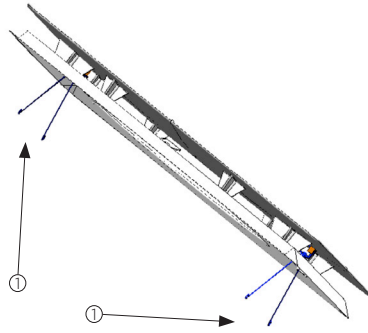
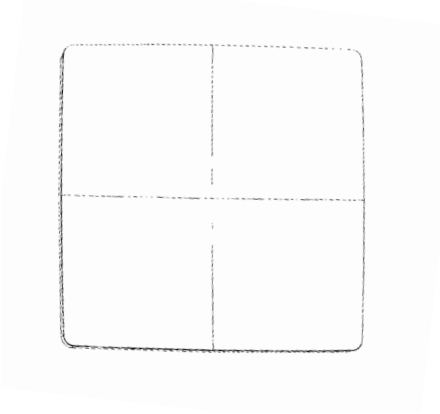
- 01.** It is important that these Installation and Maintenance Instructions are fully adhered to.
- 02.** All electrical installations must be carried out by suitably qualified and competent personnel in accordance with all statutory requirements.
- 03.** The fan is designed for use in an ambient temperature of up to 40°C. It is not suitable for corrosive or explosive atmospheres.
- 04.** The installer should provide easy access to the fan to facilitate future maintenance, and ensure that the fan is adequately supported.
- 05.** This appliance is not intended for use by persons (including children) with reduced physical, sensory, mental capabilities, or lack of experience and knowledge, unless they have been given supervision or instruction concerning use of the appliance by a person responsible for their safety. Children should be supervised to ensure that they do not play with the appliance.
- 06.** Precautions must be taken to avoid back-flow of gases into the room from the open flue of gas or other fuel burning appliances.
- 07.** The fan has a PCB-controlled cut-out function as standard and may therefore cut out and turn on automatically.

DIMENSIONAL DRAWING



Model	No	Part Name
URF100	1	Impeller
	2	Adaptor
	3	Damper
	4	Frame Assembly
	5	Knockout Plate
	6	Junction Box
	7	Base PCB Box
	8	Bracket

All dimensions in inches (mm)



Model	No	Part Name
SRG100SW-SP	1	Mounting Spring

Grille is sold separately

SPECIFICATIONS

Model	Voltage (V)	Frequency (Hz)	Input Power (W)
URF100	220-240	50	22W

INSTALLATION

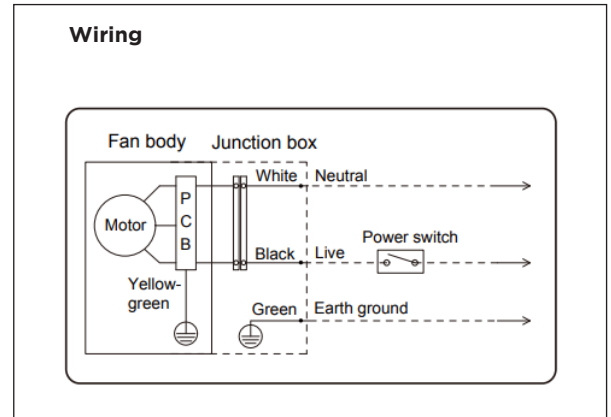
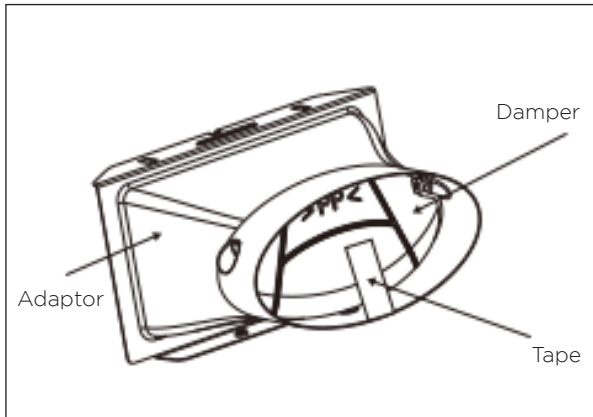
⚠ Important

Remove the tape from damper and adaptor before installation. As shown below:

- 01.** Fix the flange of frame to joist/ stud by two long screws (ST4*30), and fix the bracket to joist/stud by 2 long screws (ST4*30).
- 02.** Refer to wiring diagram connecting supply cable to fan, following all the local electrical safety regulations.
- 03.** A 4-inch circular duct is needed to connect to the relevant part of adaptor. slip duct onto adaptor and secure with clamps or ties, and seal.
- 04.** Finish ceiling/ wall work. Ceiling/ wall hole should be aligned with the inside edge of the flange.
- 05.** Insert the mounting springs into slots and mount grille to fan body.
- 06.** The fan comes with Flow-Selection switch, options are 50-80-110CFM which is set on PCB box. Factory setting is 80CFM.

OPERATION

01. Before power is supplied to the unit, check that the wiring is correct as per the fan connection diagram.
02. At initial start-up, check that the impeller rotation and airflow direction is correct.



FAN MAINTENANCE

⚠ Warning

Do not cover the air inlet and outlet. Only a suitably qualified and competent person may carry out maintenance, and only after the electrical supply has been isolated.

01. Inspection of the fan at least once every 12 months is recommended to ensure that the motor, fan blades and grille are clean. Any build-up of dust and deposits on the blades, motor or grille should be removed using a non-abrasive cleaner. Failure to keep the unit clean can lead to overheating and damage which is not covered by the warranty.
02. To remove grille, squeeze mounting spring and pull down carefully.
03. To clean grille, use non-abrasive kitchen detergent, wipe dry with clean cloth, do not submerge in hot water.
04. All fastenings should be checked for tightness. In addition, all rotating items should be checked.
05. Bearings are of the 'sealed for life' type and will not need a detailed inspection.

RECYCLING

01. Elta Fans use materials within products that are largely recyclable. Electrical components including Motors, control devices, cabling etc. should be segregated and recycled in accordance with local regulations. Metal components can be segregated and fully recycled. All other materials should be safely disposed of in accordance with local waste management, and health and safety regulations.

Elta Trade is proudly a division of Elta Fans. For the full range of products and services please visit our website.

WARRANTY

- 01.** The ceiling exhaust fan is warranted against defects in the manufacturing and workmanship for a period of 5 years. The warranty is applicable to the motor only and does not cover any damage caused by installation or wiring of the unit. The installation must be conducted by a licensed electrician, and a suitable certificate of safety is to be issued by the electrician who installed the unit. Warranty claims will be voided unless a certificate of safety can be produced when required, prior to service or repair.
- 02.** Please keep and present the original invoice to your service agent for warranty services.
- 03. This warranty does not cover damages or loss caused by:**
 - 03.1 Any consequential losses arising from incorrect installation or operation or maintenance of this product.
 - 03.2 Any consequential losses arising from incorrect wiring of this product.
 - 03.3 Any modifications or change make to the unit, other than those recommended by the manufacturer
- 04.** Elta Fans has a policy of continuous product development and improvement. As part of our continuous improvement process, Elta Fans reserves the right to make changes to contents or specification in this manual without notice.

ELTATRADER
Ventilation Specialists

Malaysia +(603) 7846 0340
www.eltatrade.asia