

HIGH CAPACITY HC

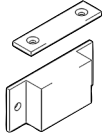
Vertical Exhaust Axial Roof Ventilator

ELTA



HIGH CAPACITY HC

Ancillary Equipment



Maglok®



Variable speed drives

Suggested Specification

High Capacity Series

The axial roof ventilators shall be of the HC Series as designed and manufactured by Elta.

The axial impellers shall be adjustable pitch, driven by a direct drive motor and supplied with blades of GRP, aluminium, nylon or anti-static material; GRP is standard.

The cowl shall be of the vertical discharge type, incorporate butterfly shutters and manufactured from galvanised steel.

All models shall incorporate fans fully tested to BS848:Part 1, 1980 for airflow and to BS848:Part 2, 1985 for noise.

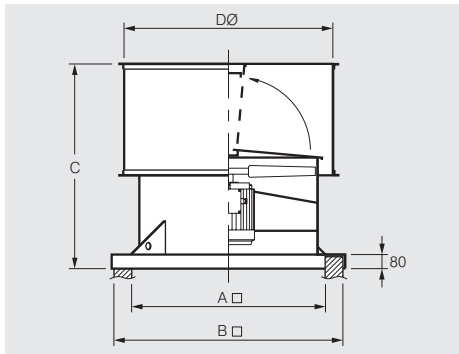
HIGH CAPACITY HC

Technical Data

Model	Fan Number	Fan Speed rev/sec	Max. kW	App. vol. m ³
0504	24	1.5	0.5	
0564	24	2.2	0.6	
0634	24	4.0	1.0	
0636	16	1.1		
0714	24	5.5	1.2	
0716	16	2.2		
0804	24	11.0		
0806	16	4.0	1.9	
0808	12	1.5		
1004	24	30.0		
1006	16	15.0	2.6	
1008	12	4.0		
1254	24	90.0		
1256	16	30.0	4.2	
1258	12	11.0		
1406	16	45.0	5.8	
1408	12	18.5		
1606	16	75.0	8.5	
1608	12	37.0		
1806	16	125.0	11.8	
1808	12	55.0		

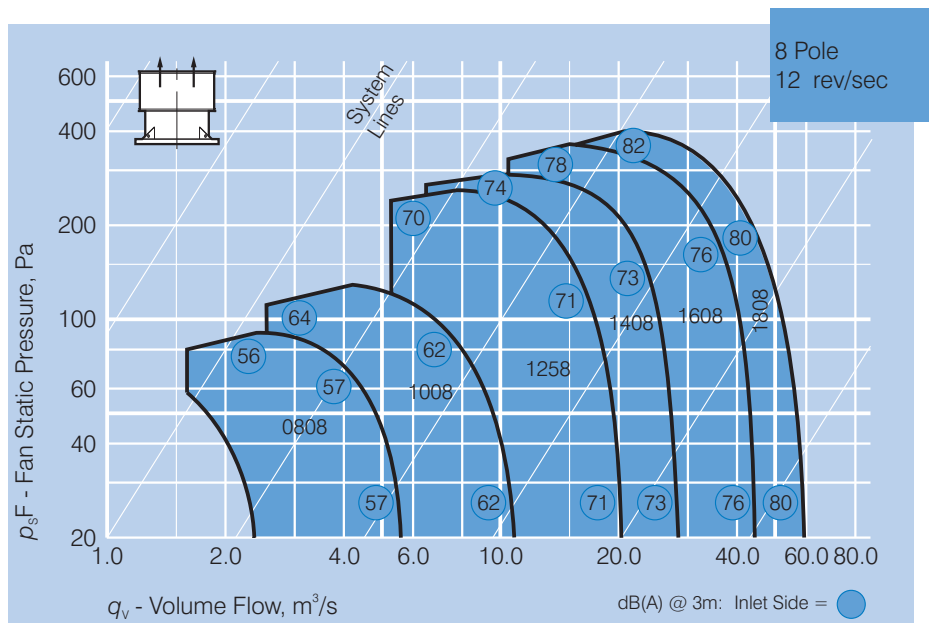
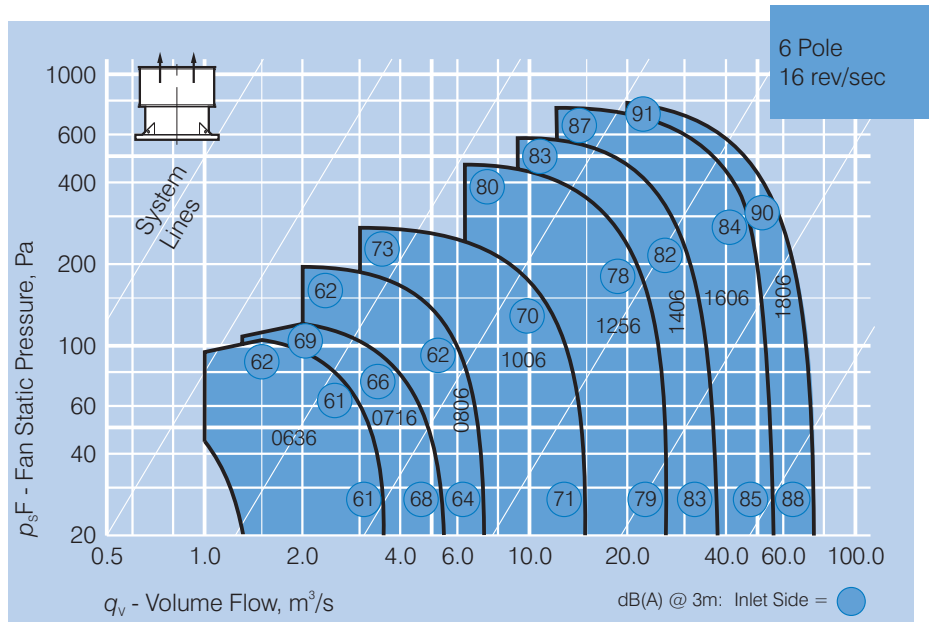
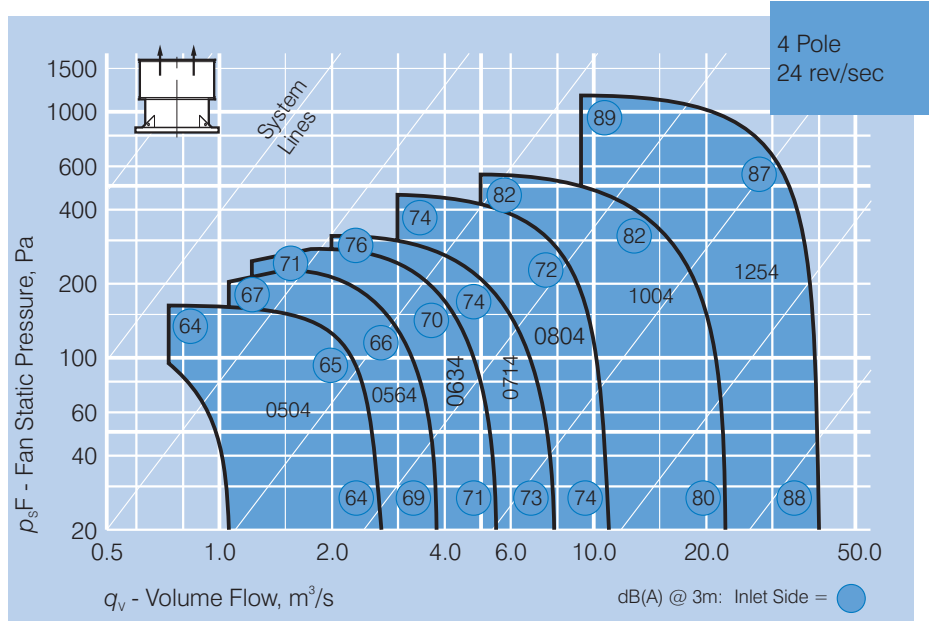
Amperages can be given at time of order.

Dimensions



Model	Dimensions, mm			D Ø
HC/SS	A	B	C*	
050..	570	770	680	675
056..	570	770	810	730
063..	780	980	830	800
071..	780	980	980	875
080..	900	1100	1230	975
100..	1080	1280	1330	1180
125..	1280	1480	1600	1430
140..	1480	1680	1730	1580
160..	1680	1880	2030	1785
180..	1880	2080	2130	1985

* The height dimension, C, is based upon the maximum motor as scheduled being fitted. If a motor with lower kW or 2-speed motor is fitted, this value could change.





Elta Asia Sdn Bhd

Tel **+603 7846 0340**

Email **info@elta.asia**

elta.asia

HCHC-05-2026 Issue A



FS 676456

A MEMBER OF  ELTA GROUP