

Hi-Flow Wall Circulation Fan

Installation and Maintenance Instructions.

THESE INSTRUCTIONS MUST BE READ FULLY BEFORE COMMENCING INSTALLATION.

Owner / installer: The life of this apparatus and its efficiency will be increased if its use and maintenance is carried out in accordance with these instructions and current statutory requirements. The installation and initial adjustments should be carried out by a qualified and competent technician. Hydor Limited should be consulted before substituting or fitting parts from another manufacturer. It is the responsibility of the installer to verify that the installation is in accordance with the following standards and the owner is given the current User's Manual.

Any modifications to the fan or its installation, even the smallest modification, change or elimination of security components or pieces that influence the efficiency or loss of ventilation, will result in the CE Certification and Hydor's warranty being cancelled.

Please take note of the following symbols used within this document:



Warning: Hazards associated with electric current and high voltages



Important: Important information

Hydor's policy is one of continual improvement and the right to change a specification at any time without notice is reserved. Whilst every care has been taken to ensure that the contents of this document are correct at time of publication, Hydor shall be under no liability whatsoever in respect of such contents.

Hydor cannot guarantee the operation of any equipment unless all documented instructions are complied with, without variation.

Hydor is a registered trademark of Hydor Ltd and is a member of Elta Group. All other trademarks, trade names or company names referenced herein are the property of their respective owners.

Code	Supply	FL Amps	Watts
HWFA650	230V/1Ph/50Hz	0.9 / 0.85 / 0.98	135 / 143 / 179

1. General

- 1.1 It is important these Installation and Maintenance Instructions are fully adhered to.
- 1.2 Full details of the unit supplied are shown on the product nameplate. If in doubt about any detail contact Hydor or its agents for clarification.
- 1.3 All electrical installation must be carried out by suitably qualified and competent personnel in accordance with all current statutory requirements.
- 1.4 These instructions cover only the Hydor product and do not include the supply or installation of any safety equipment that may be required e.g. adequate guarding or protection from rotating parts and proper electrical isolation.
- 1.5 Any declarations made by Hydor about product installation and safety, are dependant on the fan equipment being used within installations which themselves meet the requirements of the relevant Standards and Directives of your region.
- 1.6 The fan must be installed indoors in a dry, sheltered position and is designed for use in an ambient temperature of up to 45°C (IP20). The fan is not suitable for corrosive or explosive atmospheres.
- 1.7 The installer should provide easy access to the fan to facilitate future maintenance.
- 1.8 The installer should ensure the fan is adequately supported.
- 1.9 This product is not intended for use by young children or infirm persons unless they have been adequately supervised by a responsible person to ensure that they can use the product safely. Young children should be supervised to ensure that they do not play with the appliance.



WARNING: The fan must be isolated from the power supply during installation and maintenance. The fan is supplied pre-wired a standard three pin plug and must be earthed in accordance with the local regulations.

2. Installation

- 2.1 Upon receipt, the fan equipment should be visually inspected to check for any damage.
- 2.2 Check the details on the motor rating plate to ensure that the correct power supply (voltage, frequency and phase) is available. An incorrect

- power supply will lead to permanent damage to the fan motor.
- 2.3 Securely fix the wall plate to a structurally sound wall using suitable fasteners (not supplied). Ensure that the wall and wall plate are able to support the cantilevered fan weight. Fit the wall bracket into the wall plate and lock in position.
 - 2.4 Loosen the set screw in the motor mounting flange. Engage the motor support flange in the mounting flange and tighten the set screw.
 - 2.5 Take apart the guard front cover from the rear cover, and securely fasten the guard rear cover to the motor using the four screws provided.
 - 2.6 Fit the impeller to the motor shaft ensuring that the locking screw is securely fastened.
 - 2.7 Fit the guard front cover to the rear cover using the clips and screw.
 - 2.8 Check that all fasteners are tight and that the impeller rotates freely.
 - 2.9 Secure the cable, ensuring that a generous loop of cable is allowed between the cable anchorage point and the motor. This is to prevent excessive flexure of the cable caused by repetitive oscillation of the fan.

3. Start-up

WARNING: The fan must be isolated from the power supply before adjusting any operating conditions apart from altering the fan speed.



The angle of tilt of the fan motor axis must not exceed 30 Degrees from the horizontal to avoid straining the oscillation mechanism.

- 3.1 Before power is supplied to the unit, ensure that the impeller is free to rotate.
- 3.3 Check that the motor amperage draw does not exceed the nameplate rating.
- 3.4 Speed - The fan has three speed settings, 1 – 3, with 0 being the off position.
- 3.5 Oscillation - There are two adjustment settings to the oscillation plate. If the adjustment screw is set to the middle of the oscillating plate, the fan will not oscillate. If the adjustment screw is not positioned in the middle of the oscillation plate, the fan will oscillate through 90 degrees.
- 3.6 Airflow Direction - To change direction of airflow, hold the fan stationary and loosen the locking knob. Rotate the motor to a suitable position and then re-tighten the locking knob. It is not necessary to move the base frame.
- 3.7 Angle of Tilt - Hold the fan stationary and loosen the head holding screw. Adjust the angle of tilt and re-tighten the screw.
- 3.8 Height - Hold the fan stationary and loosen the locking knob. Adjust the height and then re-tighten the locking knob.

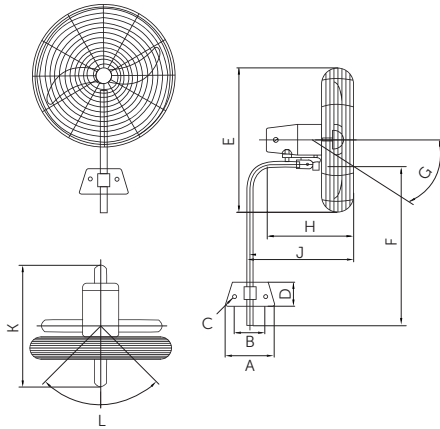
4. Fan Maintenance

- 4.1 Inspection of the fan at least once every 12 months is recommended to ensure that the motor, fan blades, and supporting guards, are clean. Any build up of dust and deposits on the blades guards should be removed using a non-abrasive cleaner.
- 4.2 All fastenings should be checked for tightness. In addition, all rotating items should be checked.
- 4.3 Bearings are lubricated for life and will not need a detailed inspection.



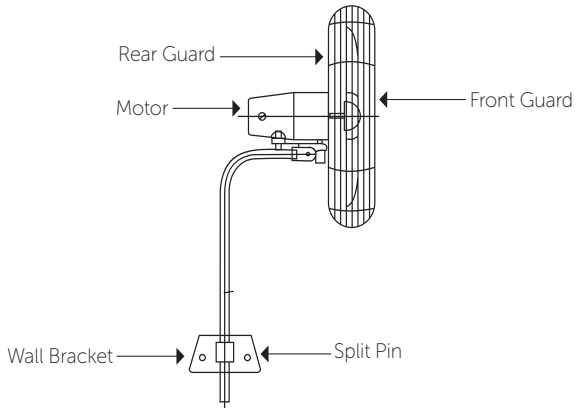
WARNING: The fan is fitted with an auto-reset thermal contact which switches the fan off in the event of a fault condition. Once the motor cools down the fan may start unexpectedly. Only a suitably qualified and competent person may carry out maintenance after the electrical supply has been isolated.

Dimensional Drawing



Dimensions	A	B	C	D	E	F	G	H	J	K	Weight kg
HWFA	190	114	12.5	112	690	445	30°	360	525	590	14.3

Dimensions in mm



Guarantee

Hydor or its agents will, within a period of one year from the date of dispatch from their works, at its option, replace any goods, which are proven to have defects as a result of defective materials or workmanship. The goods must be inspected by a Hydor official and if necessary returned, with a Returns Note Number, carriage paid, for further examination.

Hydor Ltd

Hydor

Unit 8, Parkers Close, Downton Business Centre,
Downton, Salisbury, Wiltshire, SP5 3RB, UK

Tel: +44 (0) 1725 511422

Email: info@hydor.co.uk

Web: www.hydor.co.uk

idealair group

Unit 1, Building 1, Sydney Corporate Park,
85 O'Riordan Street, Alexandria NSW 2015

Tel: +61 (02) 8073 3310

Fax: +61 (02) 8073 3320

Email: info@idealairgroup.com.au

AMS

11 Ingrid Road, Montague Gardens,
7442 Cape Town, Western Cape

Tel: +27 (0) 21 552 1077

Fax: +27 (0) 21 552 2797

Inst Issue 6: 09.19