



# HCFC CONTROLLER

## Installation & Maintenance

# HCFC CONTROLLER

## Installation Instructions

### Installation and Maintenance Instructions.

THESE INSTRUCTIONS MUST BE READ FULLY BEFORE COMMENCING INSTALLATION.

Owner / installer: The life of this apparatus and its efficiency will be increased if its use and maintenance is carried out in accordance with these instructions and current statutory requirements. The installation and initial adjustments should be carried out by a qualified and competent technician. Elta-UK Limited should be consulted before substituting or fitting parts from another manufacturer. It is the responsibility of the installer to verify that the installation is in accordance with the following standards and the owner is given the current User's Manual.

Any modifications to the HCFC or its installation, even the smallest modification, change or elimination of security components or pieces that influence the efficiency or loss of ventilation, will result in the CE Certification and Elta's warranty being cancelled.

### Description

Reversible electronic speed controller suitable for use with up to twelve ceiling fans

Product Code*	Article No.	Supply	Max. Peak Current	H x W x Depth	IP Rating
HCFC	006894	230V/1Ph/50Hz	6.0 Amps	108 x 108 x 60mm	IP51

### 1. Installation

- 1.1 All electrical installation must be carried out by suitably qualified and competent personnel in accordance with all current statutory requirements.
- 1.2 Check the details on the motor rating plate to ensure that the correct power supply (voltage, frequency and phase) is available. An incorrect power supply will lead to permanent damage of the unit.
- 1.3 Check that the number, size and speed of the fan(s) can safely be controlled by the controller supplied.
- 1.4 Connections are provided for one (1) fan outlet. If more than one fan is to be controlled then a correctly wired external junction box should be used.
- 1.5 The controller is only suitable for surface mounting and must not be recess mounted. Install in a dry sheltered position. Do not install in close proximity to a heat source or in areas of high humidity. The maximum ambient temperature for the controller must not exceed 40°C (104°F).

**WARNING:** The controller must be isolated from the power supply during installation and maintenance.

- 1.6 Remove the front cover of the controller by unscrewing the cover fixing screws. This provides access to mounting holes and electrical terminals.
- 1.7 The controller must be connected to a suitably rated fused spur.

### 2. Wiring

- 2.1 Select the correct wiring diagram for the fan and controller supplied. All wiring and control equipment must comply with the latest IEE regulations, in particular 552-01-02/03. In the event that the wiring connections for the fan supplied do not correspond to diagrams shown, please refer to the fan instructions or contact Elta for further assistance.

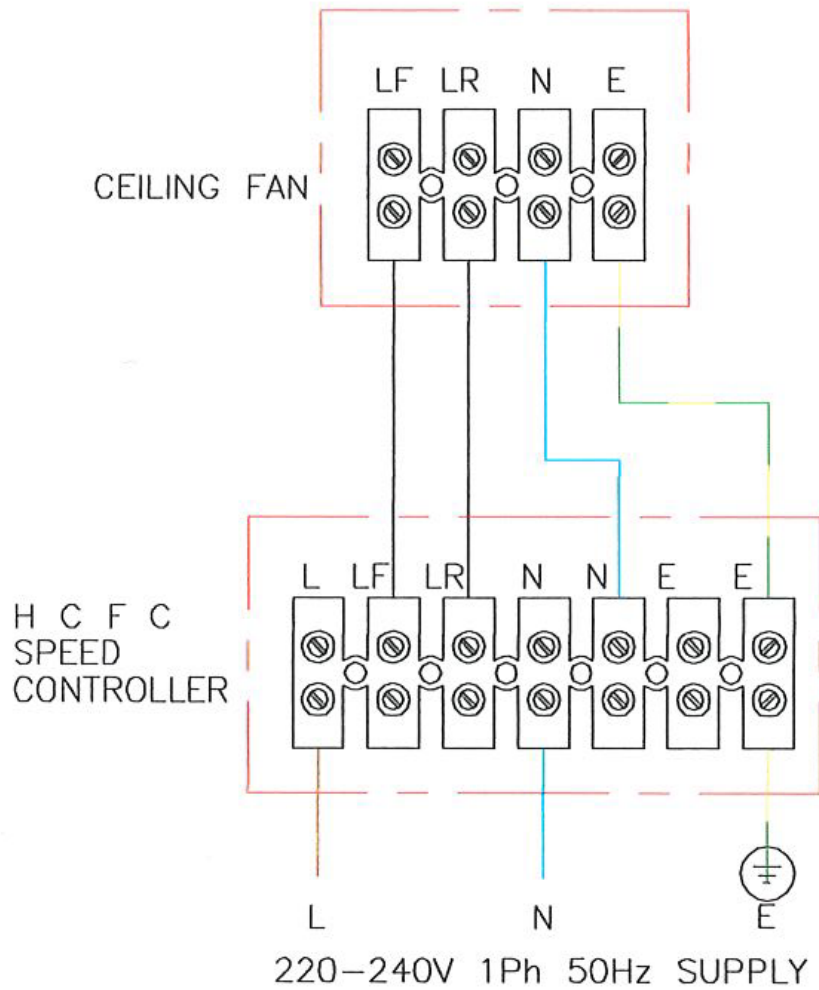
### 3. Minimum Speed Control Setting

- 3.1 On certain fan types the factory set minimum speed might require adjustment. To adjust the minimum speed rotate the control knob on the front fully anti-clockwise. This is the current minimum speed position. Turn the minimum speed potentiometer inside the unit anti-clockwise to increase the minimum speed setting and turn clockwise to decrease the minimum speed setting. The fan will not fall below this pre-set speed during operation regardless of the front panel Control Knob setting. The minimum setting should not be less than 120V to ensure that the motor starts.

# HCFC CONTROLLER

## Installation Instructions

### 4. Wiring Diagram



**Guarantee**

Elta or its agents will, within a period of 1 year from the date of dispatch from their works, repair or, at its option, replace any goods, which are proven to have defects as a result of defective materials or workmanship.

The goods MUST be returned to Elta, carriage paid, for examination. An Elta Engineer or appointed person should attend to carry out any work, unless otherwise agreed. Elta will not accept accounts for workmanship by others.

Please see the Elta warranty booklet for full details on submitting a warranty claim.

Any modifications to the system or its installation, even the smallest modification, change or elimination of security components or pieces that influence the efficiency or loss of ventilation, will result in the CE Certification and Elta's warranty being cancelled.

**Recycling**

Elta use components, when possible, that are suitable for recycling at the end of the product's life, components can be segregated as stated below and processed in accordance with local regulations. Metallic items can be segregated and recycled; Electrical and Electronic equipment such as motors, cables and control devices can be segregated for WEEE recycling; Cardboard, wood, packaging, and plastic components can be widely recycled. Items not listed should be segregated in accordance with local authority zero waste hierarchy recommendations.

Tel **+44 (0)1725 511422**  
Email **agriculture@eltauk.com**  
**eltauk.com/agriculture**

Issue B. 03.2026